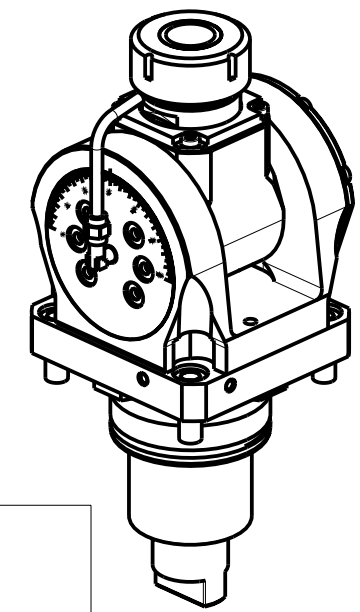


ATTENZIONE - ATTENTION - ACHTUNG

- Per lo smontaggio degli utensili utilizzare sempre la chiave di contrasto come indicato nel manuale d'uso.
- For disassembly of the tools use always the contrast key as mentioned in the user instructions.
- Fuer das Abmontieren der Werkzeuge immer den Gegenschlüssel benutzen wie in der Bedienungsanleitung erwäehnt.



| Cod. MT | Mandrino Spindel Spindel | I (n1:n2) | RPM max n2 | Coppia Max Max Torque Max Drehmoment M2 (Nm) | Lubrificazione int. Coolant through Innenkuehlung Pmax (bar) | Lubr.esterna Ext. coolant Aussenkuehlung | Lav. secco Dry-run Trocken Bearb. | A | CHIAVI INCLUSE Keys included Schluessel inbegriffen | | | | |
|------------|--------------------------|-----------|------------|--|--|--|-----------------------------------|--------|---|--------|------------|---------|---------|
| DW00830332 | ERA32 | 1:1 | 3000 | 50 | - | X | X | 81 | CHUB30 | CHUB46 | CHTAER32ZC | CHESL10 | CHESL06 |
| DW00830432 | ERA32 | 1:1 | 3000 | 50 | 100 (diag. 2) | X | X | 81 | CHUB30 | CHUB46 | CHTAER32ZC | CHESL10 | CHESL06 |
| DW00830140 | ER40 | 1:1 | 3000 | 50 | - | X | X | 108.66 | - | CHUB46 | CHSTER40 | CHESL10 | CHESL06 |
| DW00830240 | ER40 | 1:1 | 3000 | 50 | 100 (diag. 2) | X | X | 108.66 | - | CHUB46 | CHSTER40 | CHESL10 | CHESL06 |

YCM
TC 46

MODULO MOTORIZZATO ORIENTABILE +/-90°
+/-90° adjustable angle driven tool
Angetriebenes Werkzeug schwenkbar +/-90°

Subject to change without notice.

M.T. srl
Via Casino Albini 480
Tel. 0541/956034-957884
Fax 0541/956341
47842 S. GIOVANNI IN M. (RN)
e-mail: mtma@mtmarchetti.com
http://www.mtmarchetti.com



YCM339-3-00