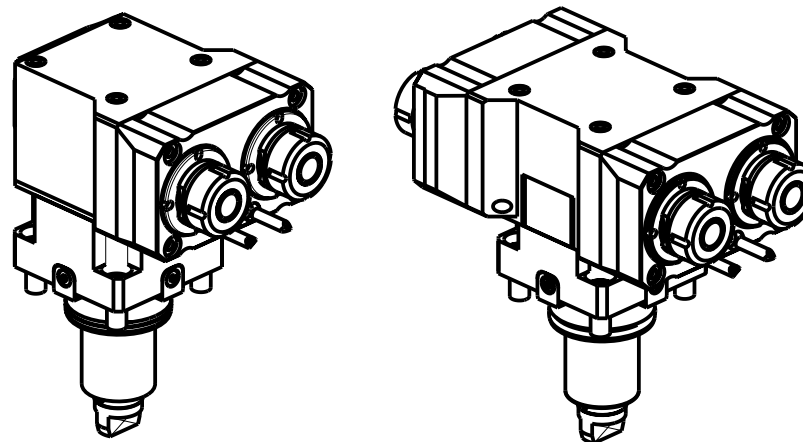


ATTENZIONE - ATTENTION - ACHTUNG

- VERIFICARE LE MISURE DI INGOMBRO PER POSSIBILE INTERFERENZA SU ALCUNI MODELLI DI MACCHINE
- Please check the overall sizes for possible interferences on some machine models
- Bitte überprüfen sie das ausmass um mögliche interferenzen auf einigen maschinen modellen zu vermeiden

ATTENZIONE - ATTENTION - ACHTUNG

- Per lo smontaggio degli utensili utilizzare sempre la chiave di contrasto come indicato nel manuale d'uso.
- For disassembly of the tools use always the contrast key as mentioned in the user instructions.
- Für das Abmontieren der Werkzeuge immer den Gegenschlüssel benutzen wie in der Bedienungsanleitung erwähnt.



- Chiave inclusa
- Key included
- Schlüssel inbegriffen

Cod. MT	Mandrino Spindle Spindel	I (n1:n2)	RPM max n2	Coppia Max Max Torque Max Drehmoment M2 (Nm)	N°Utensili N°Tools N°Werkzeuge	Reversibile 180° 180° Reversible 180° umsetzbar	Lubrificazione int. Coolant through Innenkuehlung Pmax (bar)	Lubr.esterna Ext. coolant Aussenkuehlung	Lav. secco Dry-run Trocken Bearb.	A	B	CHIAVI NON INCLUDE Keys not included Schlüssel nicht einbegriffen		
DW 01230225	ER25	1:1	6000	40	2	X	-	X	X	130.46	60	CHUB36	CHSTER25	-
DW 01231225	ER25	1:1	6000	40	2	X	70	X	-	150.16	60	CHUB36	CHSTER25	-
DW 01230325	ERA25	1:1	6000	40	2	X	-	X	X	119	60	CHUB38	CHUB27	CHTAER25ZC *
DW 01231325	ERA25	1:1	6000	40	2	X	70	X	-	142	60	CHUB38	CHUB27	-
DW 01232225	ER25+ER25	1:1	6000	40	2+2	X	-	X	X	130.46	125.46	CHUB36	CHSTER25	-
DW 01232325	ERA25+ERA25	1:1	6000	40	2+2	X	-	X	X	119	114	CHUB38	CHUB27	CHTAER25ZC *

VICTOR

MOD: VTURN-A26 CM/SCM/YCM/YSCM - VTURN-A260 CM/SCM/YCM/YSCM 12 ST.

MODULO MOTORIZZATO ASSIALE 2 USCITE IN Y H=100mm
 Axial single side twin head driven tool in Y H=100mm
 Axial angetriebenes Werkzeug 2 Ausgaenge in Y H=100mm

Subject to change without notice.

M.T. srl

Via Casino Albini 480
 Tel. 0541/956034-957884
 Fax 0541/956341
 47842 S. GIOVANNI IN M. (RN)
 e-mail: mtma@mtmarchetti.com
 http://www.mtmarchetti.com



VCT260-2-30