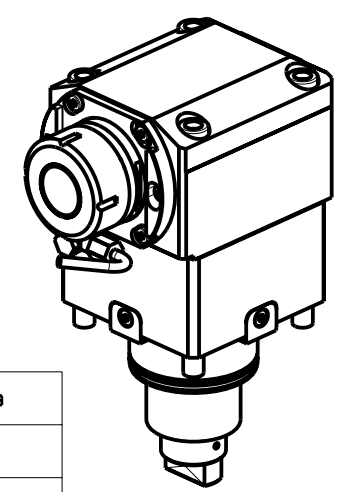


**CUSCINETTI MAGGIORATI
PER LAVORAZIONI PESANTI**

Reinforced bearings for
heavy machining

Vergroesserte Lager fuer
schwerere Bearbeitungen

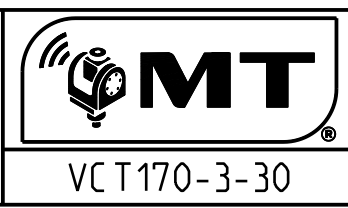


- Chiave inclusa
- Key included
- Schlüssel inbegriffen

Cod. MT	Mandrino Spindle Spindel	I (n1:n2)	RPM max n2	Coppia Max Max Torque Max Drehmoment M2 [Nm]	Reversibile 180° 180° Reversible 180° umsetzbar	Lubrificazione int. Coolant through Innenkuehlung Pmax [bar]	Lubrificazione est. Ext. coolant Aussenkuehlung	Lav. secco Dry-run Trocken Bearb.	A	A1	A2	B	D	L	CHIAVI NON INCLUDE Keys not included Schlüssel nicht einbegriffen	
DW 01340140	ER40	1:1	6000	140	X	-	X	X	109.7	-	-	64	-	-	CHSTER40	OKU0430007 *
DW 01340240	ER40	1:1	6000	140	X	100 (diag. 2)	X	X	109.7	-	-	76.5	-	-	CHSTER40	OKU0430007 *
DW 01340725	WELDON 25	1:1	6000	140	X	-	X	X	-	109.5	-	64	-	-	-	-
DW 01340825	WELDON 25	1:1	6000	140	X	100 (diag. 2)	X	X	-	109.5	-	76.5	-	-	-	-
DW 01340522	Ø22x19	1:1	6000	140	X	-	X	X	-	-	89	64	22	19	CH_VTCROCE_M10 *	OKU0430007 *

VICTOR
 MOD: VTURN-40/45YCM - VTURN-S36CM - VTURN-V760CM (BMT75)
 MODULO MOTORIZZATO ASSIALE MAGGIORATO H=110mm
 Axial reinforced driven tool H=110mm
 Axial angetriebenes Werkzeug vergroessert H=110mm

M.T. srl
 Via Casino Albini 480
 Tel. 0541/956034-957884
 Fax 0541/956341
 47842 S. GIOVANNI IN M. (RN)
 e-mail: mtma@mtmarchetti.com
 http://www.mtmarchetti.com



Subject to change without notice.