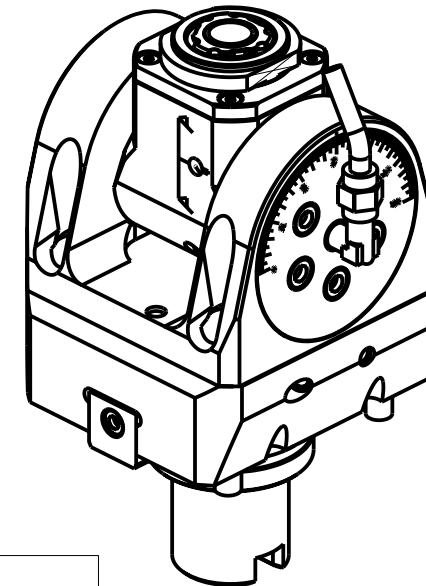
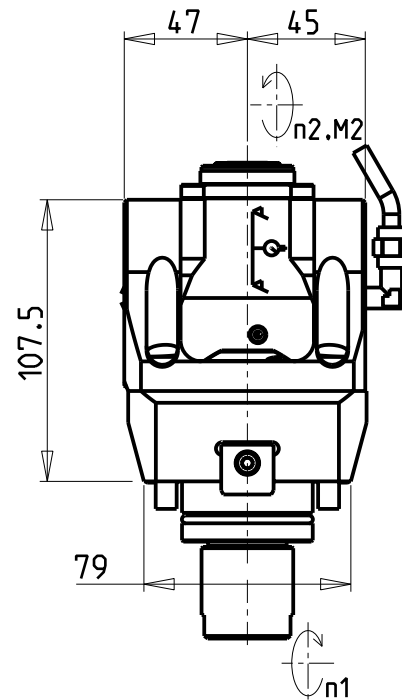
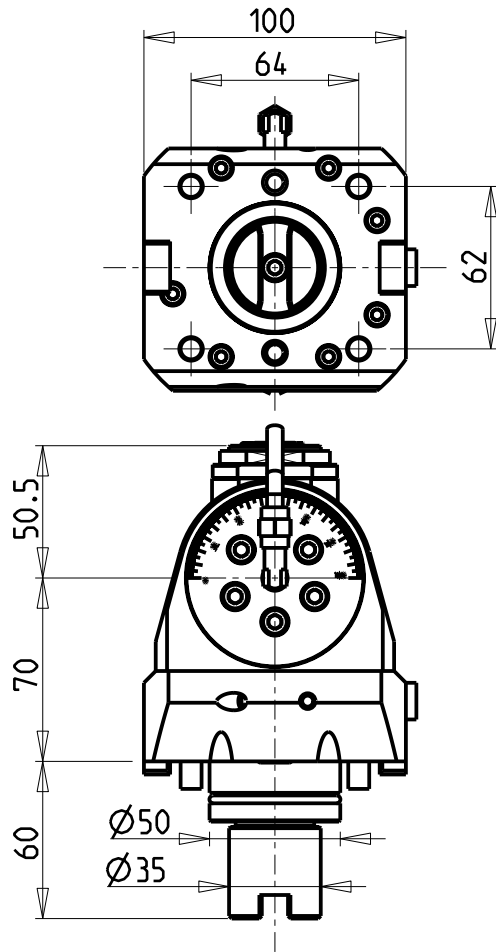


ATTENZIONE - ATTENTION - ACHTUNG

- Per lo smontaggio degli utensili utilizzare sempre la chiave di contrasto come indicato nel manuale d'uso.
- For disassembly of the tools use always the contrast key as mentioned in the user instructions.
- Fuer das Abmontieren der Werkzeuge immer den Gegenschlüssel benutzen wie in der Bedienungsanleitung erwaeht.



Cod. MT	Mandrino Spindle Spindel	I (n1:n2)	RPM max n2	Coppia Max Max Torque Max Drehmoment	Lubrificazione int. Coolant through Innenkuehlung	Lubr.esterna Ext. coolant Aussenkuehlung	Lav. secco Dry-run Trocken Bearb.	CHIAVI INCLUDE Keys included Schluessel inbegriffen			
				M2 (Nm)	Pmax (bar)	X	X	CHUB36	CHUB22	CHESL06	CHTAER20ZC
TKW 0500120	ERA20	1:1	6000	30	-	X	X	CHUB36	CHUB22	CHESL06	CHTAER20ZC
TKW 0500220	ERA20	1:1	6000	30	70	X	-	CHUB36	CHUB22	CHESL06	CHTAER20ZC

TAKISAWA
MOD: TCY160/200

MODULO MOTORIZZATO ORIENTABILE +/-90° H=70mm
+/-90° adjustable angle driven tool H=70mm
Angetriebenes Werkzeug schwenkbar +/-90° H=70mm

Subject to change without notice.

M.T. srl
Via Casino Albini 480
Tel. 0541/956034-957884
Fax 0541/956341
47842 S. GIOVANNI IN M. (RN)
e-mail: mtma@mtmarchetti.com
http://www.mtmarchetti.com



TKW 335-1-00