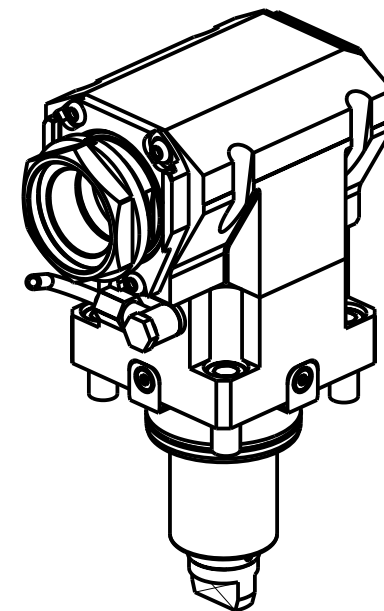


CUSCINETTI MAGGIORATI PER LAVORAZIONI PESANTI

Reinforced bearings for
heavy machining

Vergroesserte Lager fuer
schwerere Bearbeitungen



PER PORTAUTENSILI MODULARI MTSK-50 VEDI PAG. TBL300-1-50
FOR MTSK-50 QUICK CHANGE TOOLHOLDERS CLAMPINGS SEE PAGE TBL300-1-50
FUER MTSK-50 MODULARE WERKZEUGAUFNAHMEN SIEHE SEITE TBL300-1-50

| Cod. MT | Mandrino Spindle Spindel | I (n1:n2) | RPM max n2 | Coppia Max Max Torque Max Drehmoment | Reversibile 180° 180° Reversible 180° umsetzbar | Lubrificazione int. Coolant through Innenkuehlung | Lubr.esterna Ext. coolant Aussenkuehlung | Lav. secco Dry-run Trocken Bearb. | B | CHIAVI NON INCLUSE Keys not included Schlüssel nicht einbegriffen | |
|------------|--------------------------------|--------------|------------------|--|---|---|--|---|------|---|--------------|
| | | | | M2 (Nm) | | Pmax (bar) | CHUB55 | | | OKU0650004 ■ | |
| DW02200150 | MTSK-50 | 1:1 | 6000 | 110 | X | - | X | X | 56.5 | CHUB55 | OKU0650004 ■ |
| DW02200250 | MTSK-50 | 1:1 | 6000 | 110 | X | 100 (diag. 2) | X | X | 67.5 | CHUB55 | OKU0650004 ■ |

- Chiave inclusa
- Key included
- Schlüssel inbegriffen

TAKISAWA
MOD: NX-2500 12ST./15ST. (BMT65)

MODULO MOTORIZZATO ASSIALE MAGGIORATO MTSK H=100mm
Axial MTSK reinforced driven tool H=100mm
Axial MTSK angetriebenes Werkzeug vergroessert H=100mm

M.T. srl
Via Casino Albini 480
Tel. 0541/956034-957884
Fax 0541/956341
47842 S. GIOVANNI IN M. (RN)
e-mail: mtma@mtmarchetti.com
http://www.mtmarchetti.com



TKW 170-10-30-K

Subject to change without notice.

09/2025