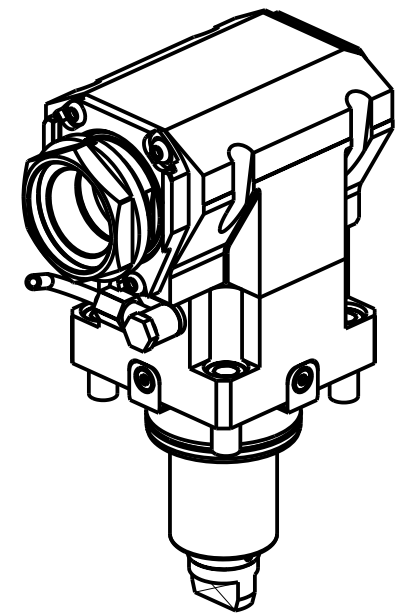


**CUSCINETTI MAGGIORATI
PER LAVORAZIONI PESANTI**

Reinforced bearings for heavy machining
Vergroesserte Lager fuer schwerere Bearbeitungen



PER PORTAUTENSILI MODULARI MTSK-50 VEDI PAG. TBL300-1-50
FOR MTSK-50 QUICK CHANGE TOOLHOLDERS CLAMPINGS SEE PAGE TBL300-1-50
FUEER MTSK-50 MODULARE WERKZEUGAUFNAHMEN SIEHE SEITE TBL300-1-50

Cod. MT	Mandrino Spindle Spindel	I (n1:n2)	RPM max n2	Coppia Max Max Torque Max Drehmoment M2 (Nm)	Reversibile 180° 180° Reversible 180° umsetzbar	Lubrificazione int. Coolant through Innenkuehlung Pmax (bar)	Lubr.esterna Ext. coolant Aussenkuehlung	Lav. secco Dry-run Trocken Bearb.	B	CHIAVI NON INCLUSE Keys not included Schluessel nicht einbegriffen	
DW 02540150	MTSK-50	1:1	6000	110	X	-	X	X	56.5	CHUB55	OKU0650004 ■
DW 02540250	MTSK-50	1:1	6000	110	X	100 (diag. 2)	X	X	67.5	CHUB55	OKU0650004 ■

- Chiave inclusa
- Key included
- Schluessel inbegriffen

TAKISAWA
MOD: NX-2500 12ST./15ST. (BMT65)
MODULO MOTORIZZATO ASSIALE MAGGIORATO MTSK H=95mm
Axial MTSK reinforced driven tool H=95mm
Axial MTSK angetriebenes Werkzeug vergroessert H=95mm

M.T. srl
Via Casino Albini 480
Tel. 0541/956034-957884
Fax 0541/956341
47842 S. GIOVANNI IN M. (RN)
e-mail: mtma@mtmarchetti.com
http://www.mtmarchetti.com



TKW 170-10-25-K

Subject to change without notice.