

FH

BAH

TA.CP

TA

MOX

HT

4-11

VH

TSI/TSX

T

MT-TC-TC3



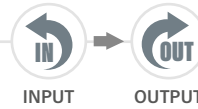
TAR02.P

TESTA AD ANGOLO - ANGLE HEAD



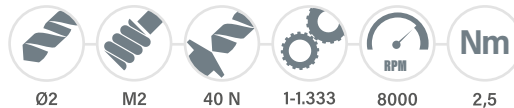
6,6 KG

9 KG

PESO
WEIGHT

INPUT

OUTPUT

ROTAZIONE
ROTATION

Ø2

M2

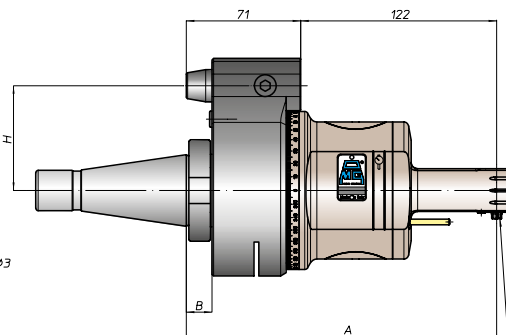
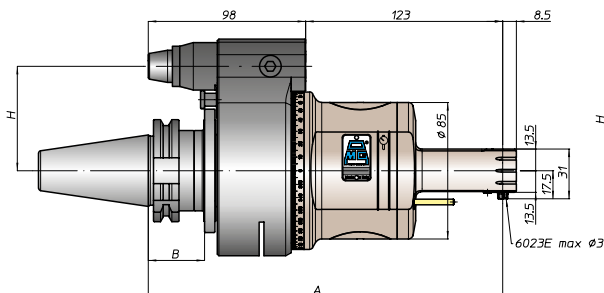
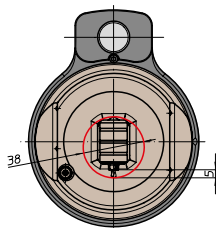
40 N

1-1.333

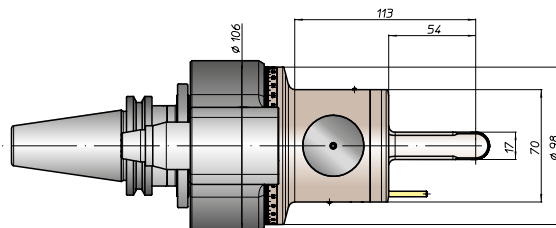
8000

Nm

2,5

CARATTERISTICHE
FEATURES

6023E max Ø3

CONO
SHANK

DIN69871



ANSIB5.50

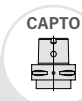


BT



HSK

DIN69893



CAPTO

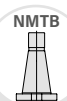
ISO26623



KM



DIN2080



NMTB

ANSIB5.18

SIZE

30 40 45 50 40 50 40 50 63 80 100

C5 C6 C8

63 80 100

40 50

40 50

A

221

221

221 229

230

225

221

191 194

191 194

B

35

35

35 45

44 46

39 41

13 16

13 16

H STANDARD

65 80

65 80

65 80

65 80

65 80

65 80

65 80

65 80

H OPTIONAL

110

110

110

110

110

110

110

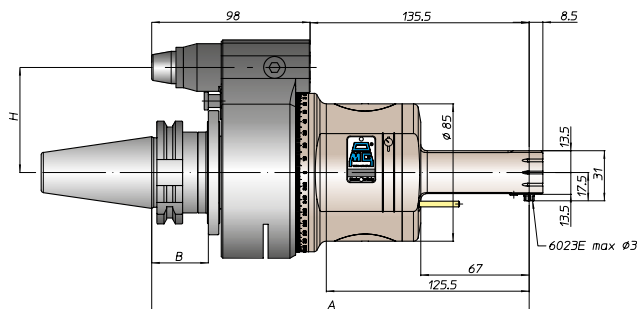
110

For DIN69871, ANSIB5.50 and BT, dual contact as option



TAR02.P-L67

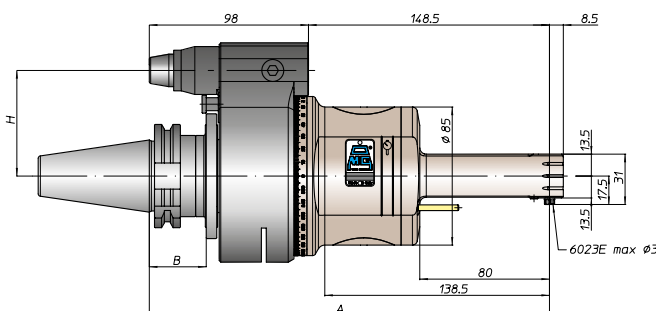
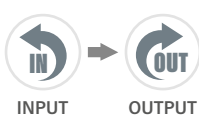
ROTAZIONE
ROTATION



CONO SHANK	DIN69871				CAT ANSIB5.50		BT		HSK DIN69893			CAPTO ISO26623			KM			DIN2080		NMTB ANSIB5.18	
SIZE	30	40	45	50	40	50	40	50	63	80	100	C5	C6	C8	63	80	100	40	50	40	50
A	233,5				233,5		233,5	241,5	242,5			237,5			233,5			203,5	206,5	203,5	206,5

TAR02.P-L80

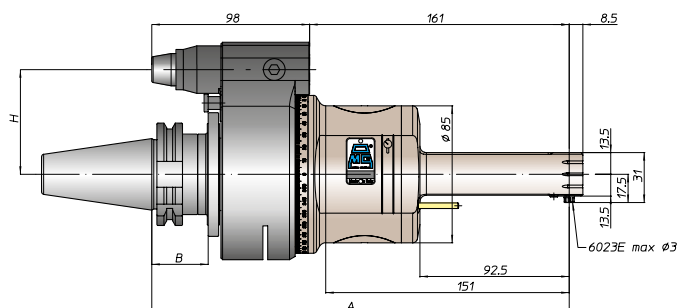
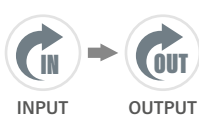
ROTAZIONE
ROTATION



CONO SHANK	DIN69871				CAT ANSIB5.50		BT		HSK DIN69893			CAPTO ISO26623			KM			DIN2080		NMTB ANSIB5.18	
SIZE	30	40	45	50	40	50	40	50	63	80	100	C5	C6	C8	63	80	100	40	50	40	50
A	246,5				246,5		246,5	254,5	255,5			250,5			246,5			276,5	273,5	276,5	273,5

TAR02.P-L92

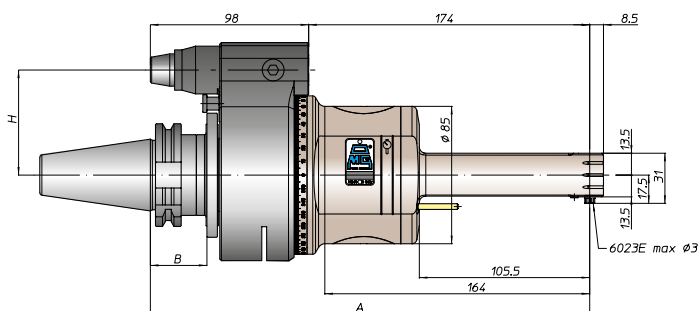
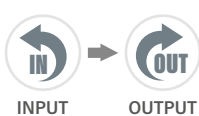
ROTAZIONE
ROTATION



CONO SHANK	DIN69871				CAT ANSIB5.50		BT		HSK DIN69893			CAPTO ISO26623			KM			DIN2080		NMTB ANSIB5.18	
SIZE	30	40	45	50	40	50	40	50	63	80	100	C5	C6	C8	63	80	100	40	50	40	50
A	259				259		259	267	268			263			259			289	286	289	286

TAR02.P-L105

ROTAZIONE
ROTATION



CONO SHANK	DIN69871				CAT ANSIB5.50		BT		HSK DIN69893			CAPTO ISO26623			KM			DIN2080		NMTB ANSIB5.18	
SIZE	30	40	45	50	40	50	40	50	63	80	100	C5	C6	C8	63	80	100	40	50	40	50
A	272				272		272	280	281			276			272			302	299	302	299

FH

BAH

TA.CP

TA

MOX

HT

4-13

VH

TSI/TSX

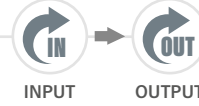
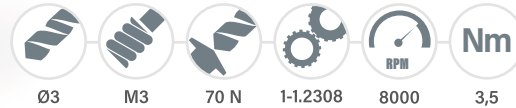
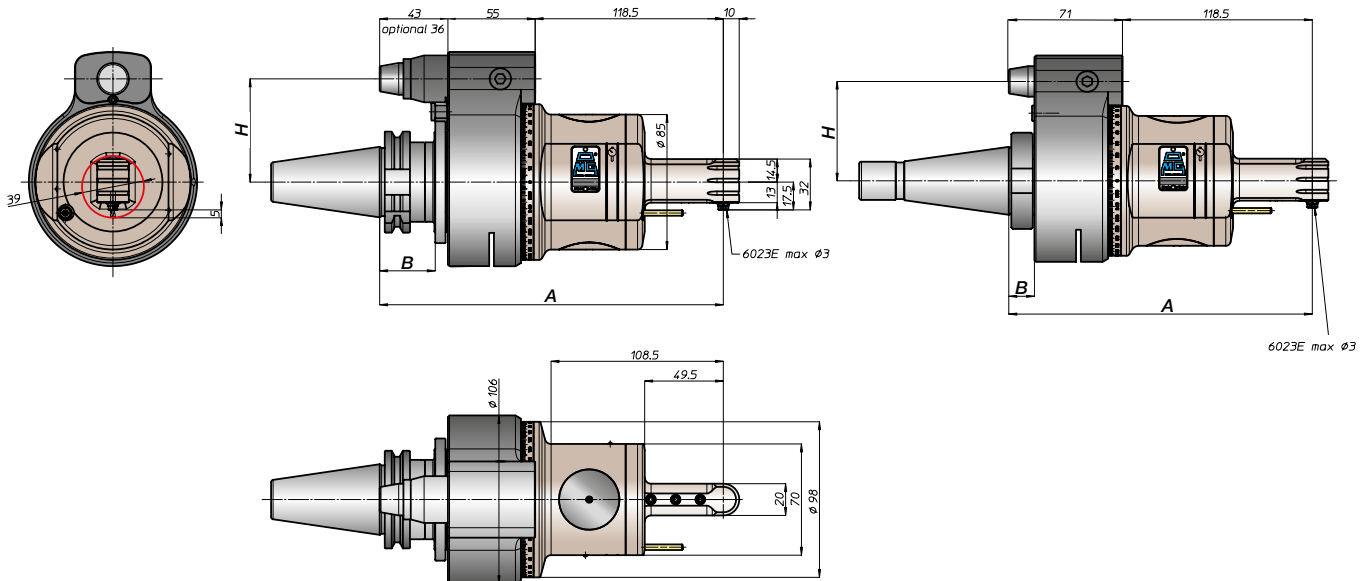
T

MT-TC-TC3



TAR03.P

TESTA AD ANGOLO - ANGLE HEAD

PESO
WEIGHTROTAZIONE
ROTATIONCARATTERISTICHE
FEATURESCONO
SHANK

DIN69871



ANSIB5.50

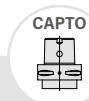


BT



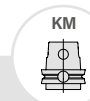
HSK

DIN69893



CAPTO

ISO26623



KM



DIN2080



NMTB

ANSIB5.18

SIZE

30 40 45 50 40 50 40 50 63 80 100

C5 C6 C8 63 80 100

40 50 40 50 40 50

A

216,5 216,5 216,5 224,5 225,5 220,5 216,5 186,5 189,5 188,5 191,5

B

35 35 35 45 44 46 39 41 13 16 13 16

H STANDARD

65 80 65 80 65 80 65 80 65 80 65 80 65 80 65 80

H OPTIONAL

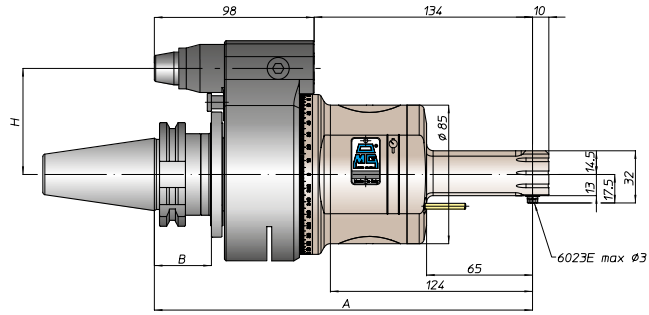
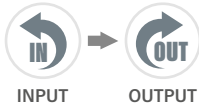
110 110 110 110 110 110 110 110

For DIN69871, ANSIB5.50 and BT, dual contact as option



TAR03.P-L65

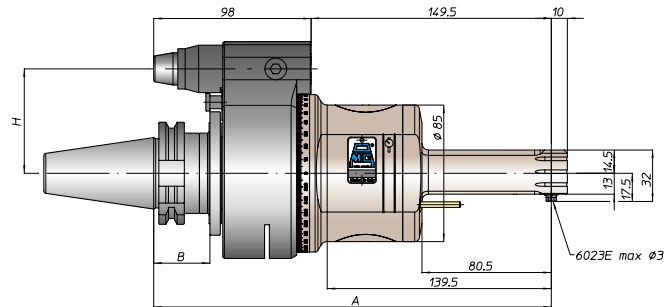
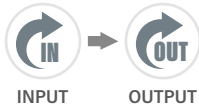
ROTAZIONE
ROTATION



CONO SHANK	DIN69871				CAT ANSIB5.50		BT		HSK DIN69893			CAPTO ISO26623			KM			DIN2080		NMTB ANSIB5.18	
SIZE	30	40	45	50	40	50	40	50	63	80	100	C5	C6	C8	63	80	100	40	50	40	50
A	232				232		232	240	241			236			232			202	205	202	205

TAR03.P-L80

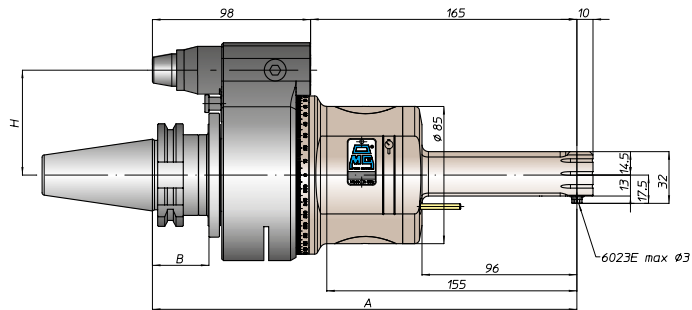
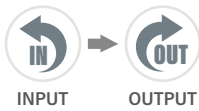
ROTAZIONE
ROTATION



CONO SHANK	DIN69871				CAT ANSIB5.50		BT		HSK DIN69893			CAPTO ISO26623			KM			DIN2080		NMTB ANSIB5.18	
SIZE	30	40	45	50	40	50	40	50	63	80	100	C5	C6	C8	63	80	100	40	50	40	50
A	247				247		247	255	256			251			247			217	220	217	220

TAR03.P-L96

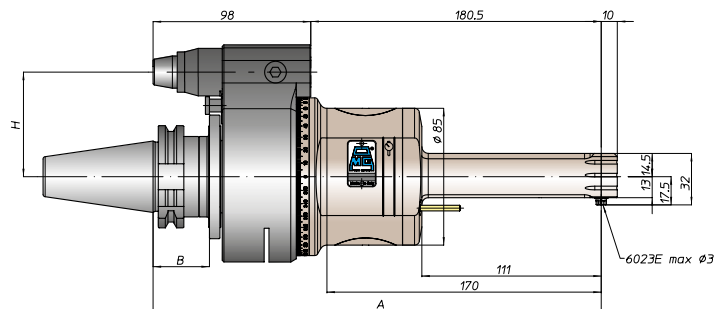
ROTAZIONE
ROTATION



CONO SHANK	DIN69871				CAT ANSIB5.50		BT		HSK DIN69893			CAPTO ISO26623			KM			DIN2080		NMTB ANSIB5.18	
SIZE	30	40	45	50	40	50	40	50	63	80	100	C5	C6	C8	63	80	100	40	50	40	50
A	263				293		293	271	272			267			263			233	236	233	236

TAR03.P-L111

ROTAZIONE
ROTATION



CONO SHANK	DIN69871				CAT ANSIB5.50		BT		HSK DIN69893			CAPTO ISO26623			KM			DIN2080		NMTB ANSIB5.18	
SIZE	30	40	45	50	40	50	40	50	63	80	100	C5	C6	C8	63	80	100	40	50	40	50
A	278				278		278	286	287			282			278			248	251	248	251



FH

BAH

TA.CP

TA

MOX

HT

4-15

VH

TSI/TSX

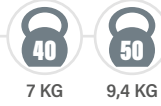
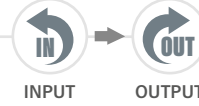
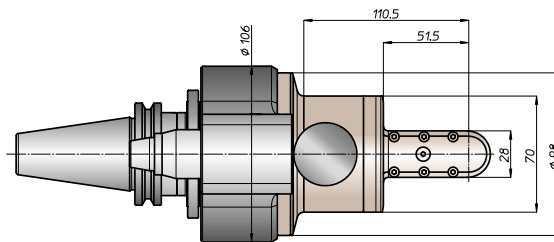
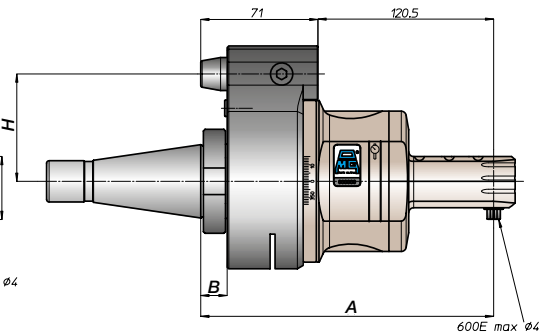
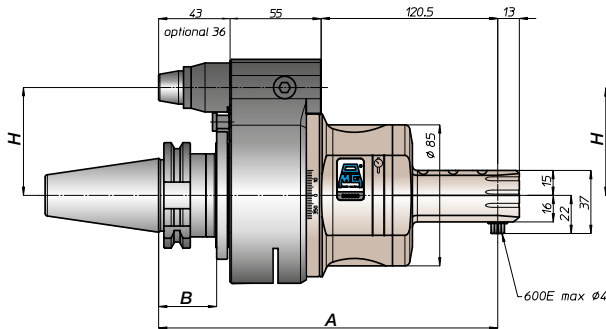
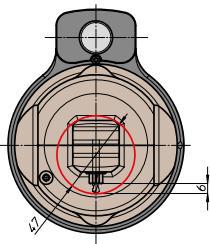
T

MT-TC-TC3



TAR04.P

TESTA AD ANGOLO - ANGLE HEAD

PESO
WEIGHTROTAZIONE
ROTATIONCARATTERISTICHE
FEATURESCONO
SHANK

DIN69871



ANSIB5.50

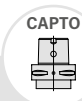


BT



HSK

DIN69893



CAPTO

ISO26623



KM



DIN2080



ANSIB5.18

SIZE

30 40 45 50 40 50 40 50 63 80 100

C5 C6 C8

63 80 100

40 50 40 50

A

218,5 218,5 218,5 226,5 227,5 222,5 218,5 188,5 191,5 188,5 191,5

B

35 35 35 45 44 46 39 41 13 16 13 16

H STANDARD

65 80 65 80 65 80 65 80 65 80 65 80 65 80

H OPTIONAL

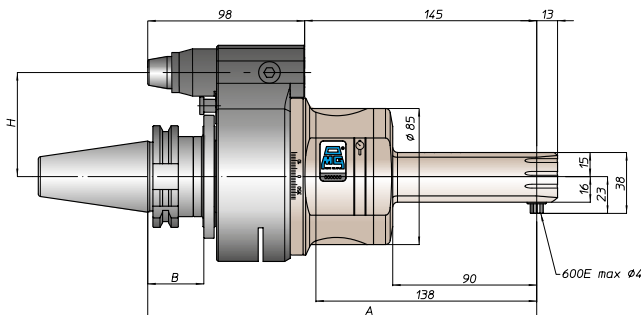
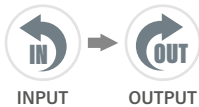
110 110 110 110 110 110 110 110

For DIN69871, ANSIB5.50 and BT, dual contact as option



TAR04.P-L90

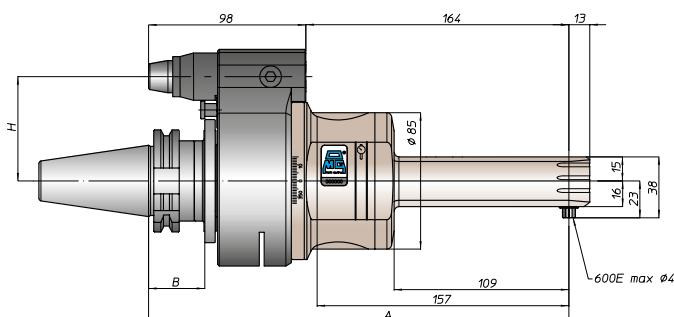
ROTAZIONE
ROTATION



CONO SHANK	DIN69871				CAT ANSIB5.50		BT		HSK DIN69893			CAPTO ISO26623			KM		DIN2080		NMTB ANSIB5.18	
	30	40	45	50	40	50	40	50	63	80	100	C5	C6	C8	63	80	100	40	50	40
A	257				257		257	265	266			261			257		227	230	227	230

TAR04.P-L109

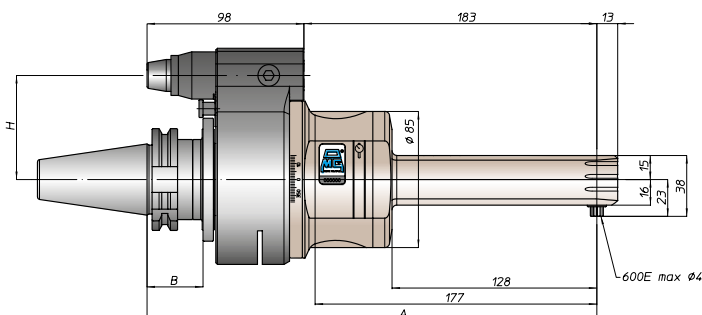
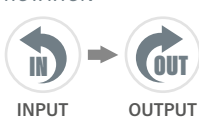
ROTAZIONE
ROTATION



CONO SHANK	DIN69871				CAT ANSIB5.50		BT		HSK DIN69893			CAPTO ISO26623			KM		DIN2080		NMTB ANSIB5.18	
	30	40	45	50	40	50	40	50	63	80	100	C5	C6	C8	63	80	100	40	50	40
A	276				276		276	284	285			280			276		246	249	246	249

TAR04.P-L128

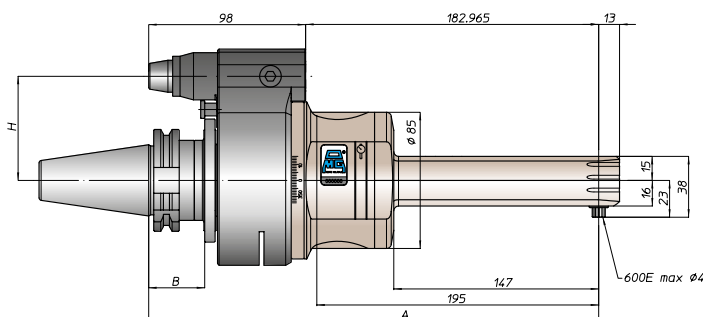
ROTAZIONE
ROTATION



CONO SHANK	DIN69871				CAT ANSIB5.50		BT		HSK DIN69893			CAPTO ISO26623			KM		DIN2080		NMTB ANSIB5.18	
	30	40	45	50	40	50	40	50	63	80	100	C5	C6	C8	63	80	100	40	50	40
A	295				295		295	303	304			299			295		265	268	265	268

TAR04.P-L147

ROTAZIONE
ROTATION



CONO SHANK	DIN69871				CAT ANSIB5.50		BT		HSK DIN69893			CAPTO ISO26623			KM		DIN2080		NMTB ANSIB5.18	
	30	40	45	50	40	50	40	50	63	80	100	C5	C6	C8	63	80	100	40	50	40
A	314				314		314	322	323			318			314		284	287	284	287

TAR06.P

TESTA AD ANGOLO - ANGLE HEAD



40
7,2 KG

50
9,6 KG

PESO
WEIGHT

OUT → **OUT**
INPUT OUTPUT

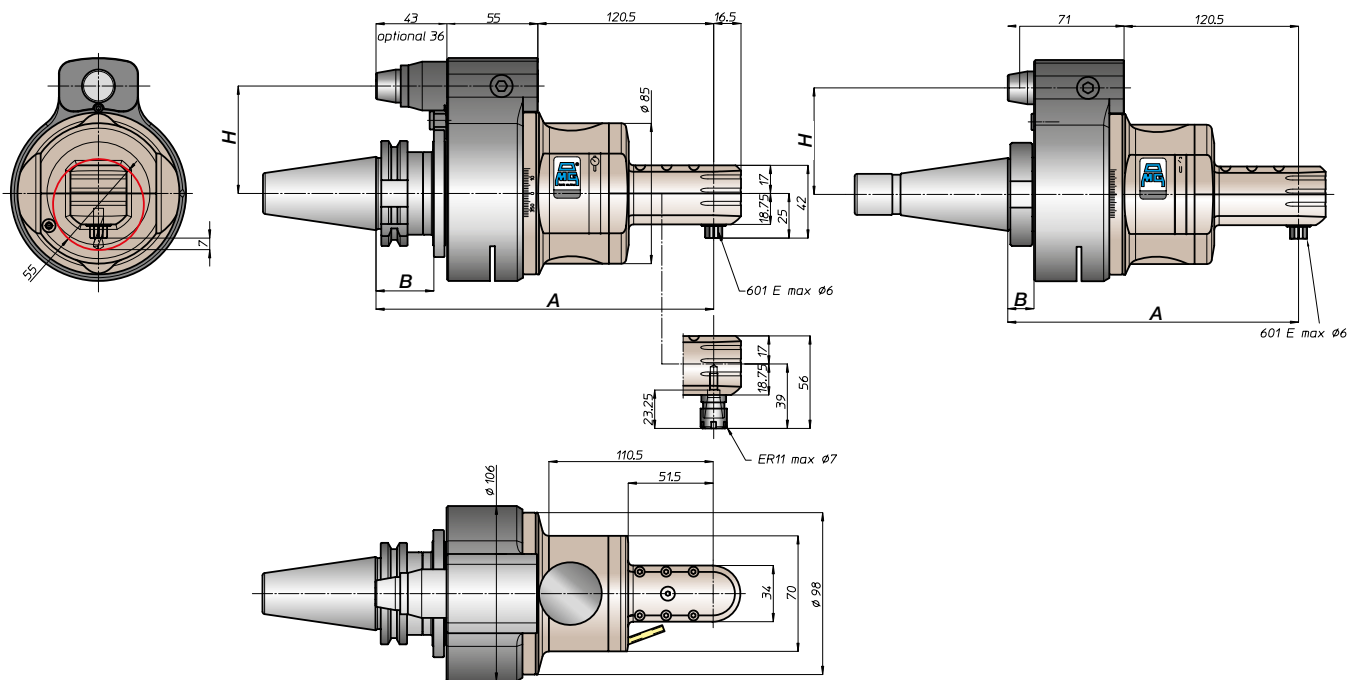
ROTAZIONE
ROTATION

Ø6 **M5** **150 N** **1-1** **8000** **Nm**
8

CARATTERISTICHE
FEATURES

Ø6
WELDON
WHISTLE-NOTCH

MANDRINI
DISPONIBILI
AVAILABLE
SPINDLES



CONO
SHANK



DIN69871



ANSIB5.50

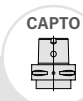


BT



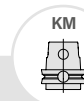
HSK

DIN69893



CAPTO

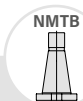
ISO26623



KM



DIN2080



NMTB

ANSIB5.18

SIZE

30 40 45 50 40 50 40 50 63 80 100

C5 C6 C8

63 80 100

40 50 40 50

A

218,5 218,5 218,5 226,5

227,5

222,5

218,5 188,5 191,5 188,5 191,5

B

35 35 35 45

44 46

39 41

13 16 13 16

H STANDARD

65 80 65 80 65 80 65 80

65 80

65 80

65 80 65 80 65 80

H OPTIONAL

110 110 110

110

110

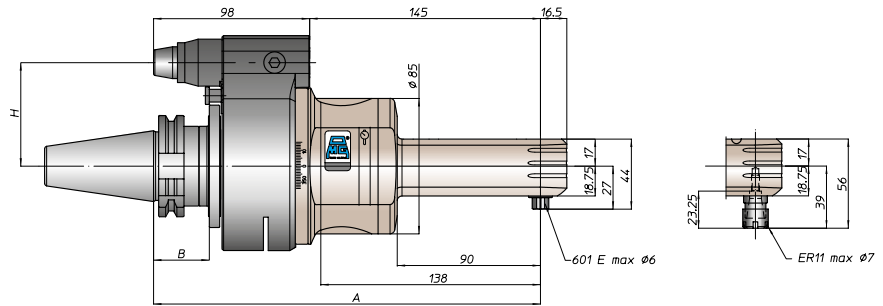
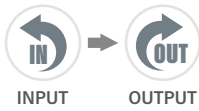
110 110

For DIN69871, ANSIB5.50 and BT, dual contact as option



TAR06.P-L90

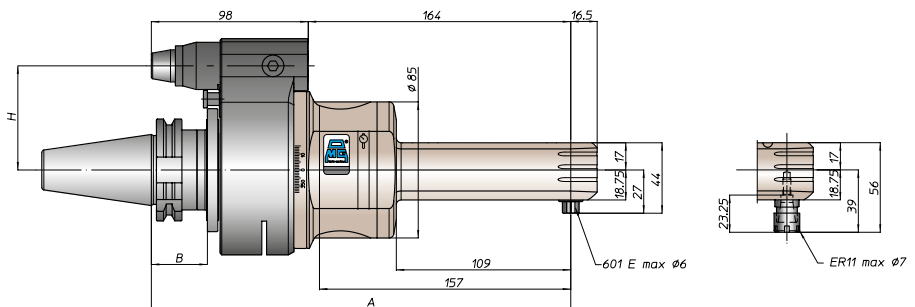
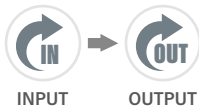
ROTAZIONE
ROTATION



CONO SHANK	DIN69871				CAT ANSIB5.50		BT		HSK DIN69893			CAPTO ISO26623			KM		DIN2080		NMTB ANSIB5.18		
SIZE	30	40	45	50	40	50	40	50	63	80	100	C5	C6	C8	63	80	100	40	50	40	50
A	257				257		257	265	266			261			257		227	230	227	230	

TAR06.P-L109

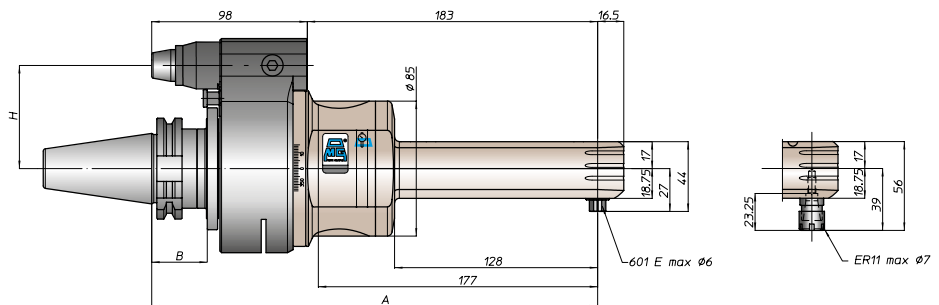
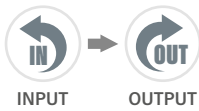
ROTAZIONE
ROTATION



CONO SHANK	DIN69871				CAT ANSIB5.50		BT		HSK DIN69893			CAPTO ISO26623			KM		DIN2080		NMTB ANSIB5.18		
SIZE	30	40	45	50	40	50	40	50	63	80	100	C5	C6	C8	63	80	100	40	50	40	50
A	276				276		276	284	285			280			276		246	249	246	249	

TAR06.P-L128

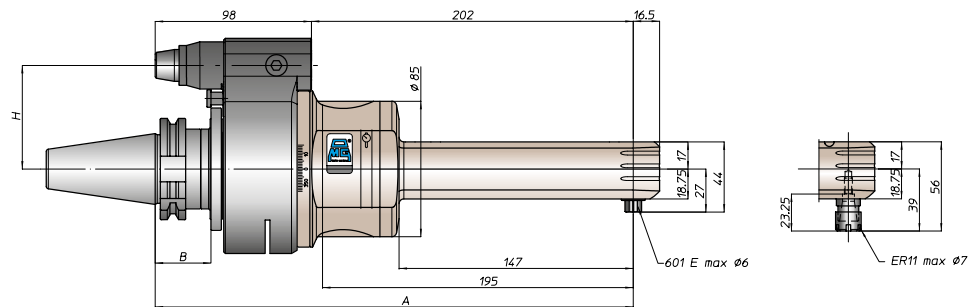
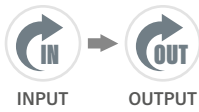
ROTAZIONE
ROTATION



CONO SHANK	DIN69871				CAT ANSIB5.50		BT		HSK DIN69893			CAPTO ISO26623			KM		DIN2080		NMTB ANSIB5.18		
SIZE	30	40	45	50	40	50	40	50	63	80	100	C5	C6	C8	63	80	100	40	50	40	50
A	295				295		295	303	304			299			295		265	268	265	268	

TAR06.P-L147

ROTAZIONE
ROTATION



CONO SHANK	DIN69871				CAT ANSIB5.50		BT		HSK DIN69893			CAPTO ISO26623			KM		DIN2080		NMTB ANSIB5.18		
SIZE	30	40	45	50	40	50	40	50	63	80	100	C5	C6	C8	63	80	100	40	50	40	50
A	314				314		314	322	323			318			314		284	287	284	287	



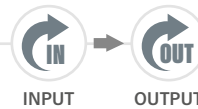


TAR10.P

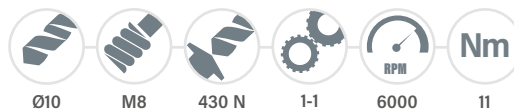
TESTA AD ANGOLO - ANGLE HEAD



PESO
WEIGHT



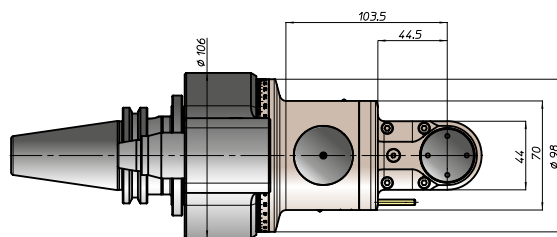
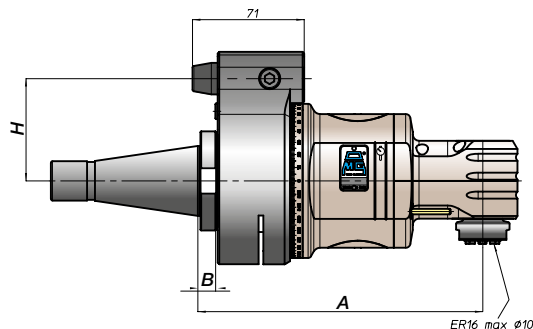
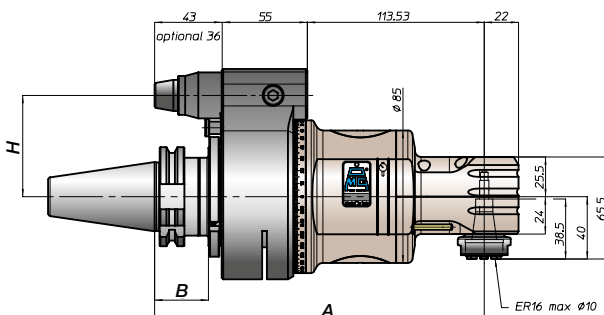
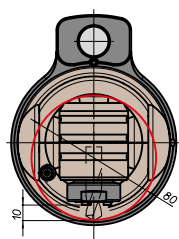
ROTAZIONE
ROTATION



CARATTERISTICHE
FEATURES



MANDRINI
DISPONIBILI
AVAILABLE
SPINDLES



CONO
SHANK

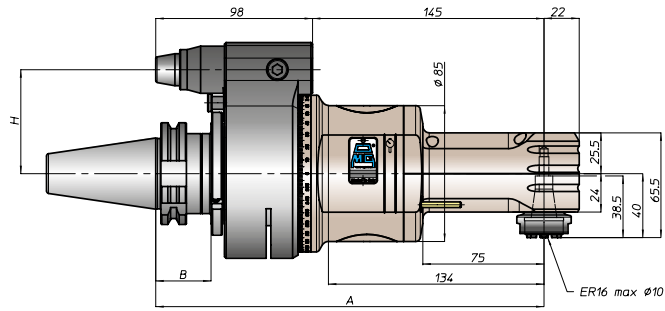
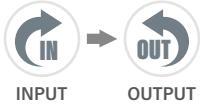
	DIN69871			CAT ANSIB5.50		BT		HSK DIN69893			CAPTO ISO26623			KM			DIN2080		NMTB ANSIB5.18	
SIZE	40	45	50	40	50	40	50	63	80	100	C5	C6	C8	63	80	100	40	50	40	50
A	211,5			211,5		211,5	219,5	220,5			215,5			211,5			181,5	184,5	181,5	184,5
B	35			35		35	45	44	46		39	41					13	16	13	16
H STANDARD	65	80		65	80	65	80	65	80		65	80		65	80		65	80	65	80
H OPTIONAL	110			110		110		110			110			110			110		110	

For DIN69871, ANSIB5.50 and BT, dual contact as option



TAR10.P-L75

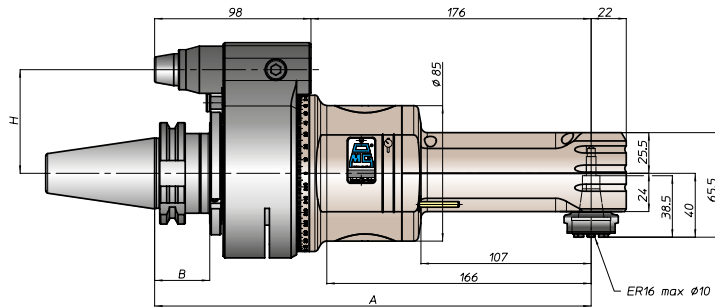
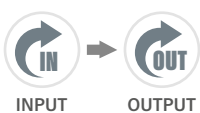
ROTAZIONE
ROTATION



CONO SHANK	DIN69871			CAT ANSIB5.50		BT		HSK DIN69893			CAPTO ISO26623			KM			DIN2080		NMTB ANSIB5.18	
SIZE	40	45	50	40	50	40	50	63	80	100	C5	C6	C8	63	80	100	40	50	40	50
A	242,78			242,78		242,78	250,78	251,78			246,78			242,78			212,78	215,78	212,78	215,78

TAR10.P-L107

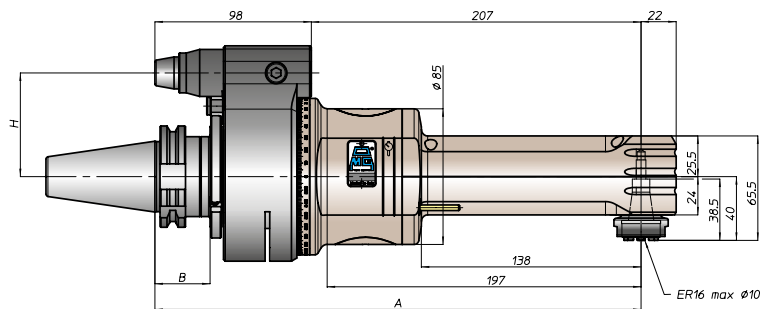
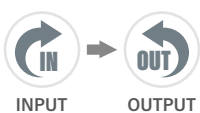
ROTAZIONE
ROTATION



CONO SHANK	DIN69871			CAT ANSIB5.50		BT		HSK DIN69893			CAPTO ISO26623			KM			DIN2080		NMTB ANSIB5.18	
SIZE	40	45	50	40	50	40	50	63	80	100	C5	C6	C8	63	80	100	40	50	40	50
A	274,06			274,06		274,06	282,06	283,06			278,06			274,06			244,06	247,06	244,06	247,06

TAR10.P-L138

ROTAZIONE
ROTATION



CONO SHANK	DIN69871			CAT ANSIB5.50		BT		HSK DIN69893			CAPTO ISO26623			KM			DIN2080		NMTB ANSIB5.18	
SIZE	40	45	50	40	50	40	50	63	80	100	C5	C6	C8	63	80	100	40	50	40	50
A	305,35			305,35		305,35	313,35	314,35			309,35			205,35			275,35	278,35	275,35	278,35



FH

BAH

TA.CP

TA

MOx

HT

4-21

VH

TSI/TSX

T

MT-TC-TC3



TAR

GALLERY

