

FH

BAH

TA.CP

TA

MOX

HT

4-65

VH

TSI/TSX

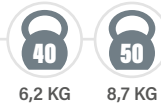
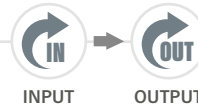
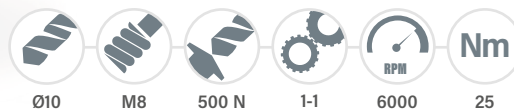
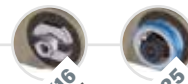
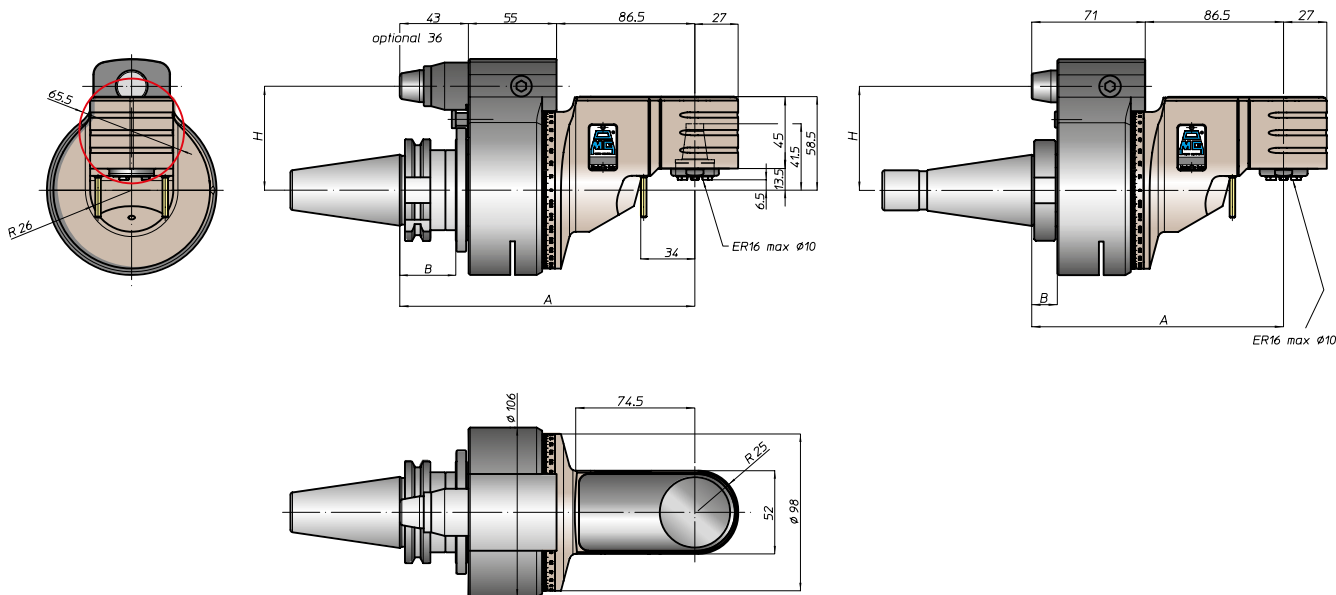
T

MT-TC-TC3



# TAO10.P

TESTA AD ANGOLO - ANGLE HEAD

PESO  
WEIGHTROTAZIONE  
ROTATIONCARATTERISTICHE  
FEATURESMANDRINI  
DISPONIBILI  
AVAILABLE  
SPINDLESCONO  
SHANK

DIN69871



ANSIB5.50

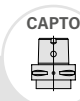


BT



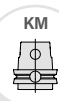
HSK

DIN69893

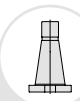


CAPTO

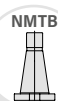
ISO26623



KM



DIN2080



ANSIB5.18

SIZE

40 45 50

40 50

40 50

63 80 100

C5 C6 C8

63 80 100

40 50

40 50

A

184,5

184,5

184,5 192,5

193,5

188,5

184,5

157,5 160,5

157,5 160,5

B

35

35

35 45

44 46

39 41

13 16

13 16

13 16

H STANDARD

65 80

65 80

65 80

65 80

65 80

65 80

65 80

65 80

H OPTIONAL

110

110

110

110

110

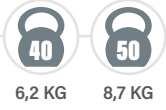
110

110

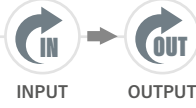
110

For DIN69871, ANSIB5.50 and BT, dual contact as option

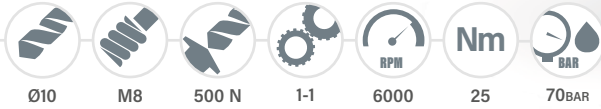
PESO  
WEIGHT



ROTAZIONE  
ROTATION



CARATTERISTICHE  
FEATURES



MANDRINI  
DISPONIBILI  
AVAILABLE  
SPINDLES



# TAO10.PD

TESTA AD ANGOLO - ANGLE HEAD

FH

BAH

TA.CP

TA

MOX

HT

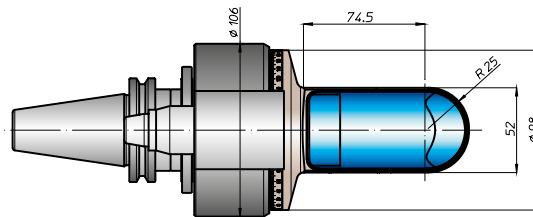
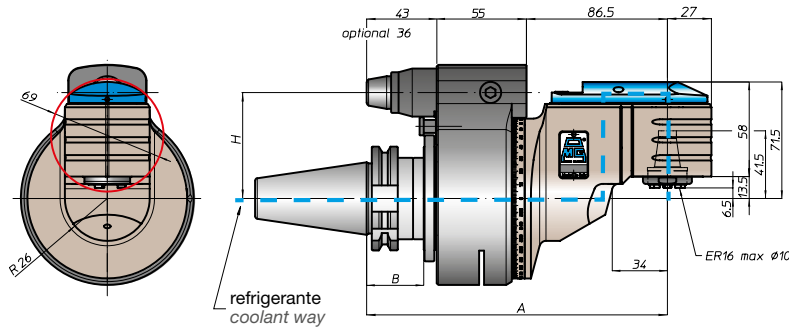
4-66

VH

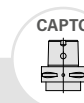
TSI/TSX

T

MT-TC-TC3



CONO  
SHANK



SIZE

40 45 50 40 50 40 50 63 80 100 C5 C6 C8 63 80 100

A

184,5 184,5 184,5 192,5 193,5 188,5 184,5

B

35 35 35 45 44 46 39 41

H STANDARD

65 80 65 80 65 80 65 80 65 80 65 80

H OPTIONAL

110 110 110 110 110 110 110

For DIN69871, ANSIB5.50 and BT, dual contact as option



FH

BAH

TA.CP

TA

MOX

HT

4-67

VH

TSI/TSX

T

MT-TC-TC3



# TA013.P

## TESTA AD ANGOLO - ANGLE HEAD



7,5 KG



10,5 KG

PESO  
WEIGHT

INPUT



OUTPUT

ROTAZIONE  
ROTATION

Ø13



M10



570 N



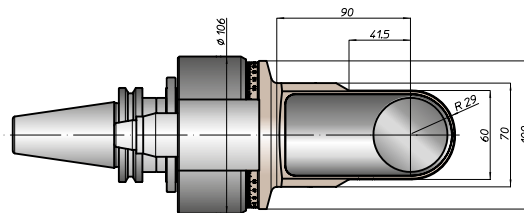
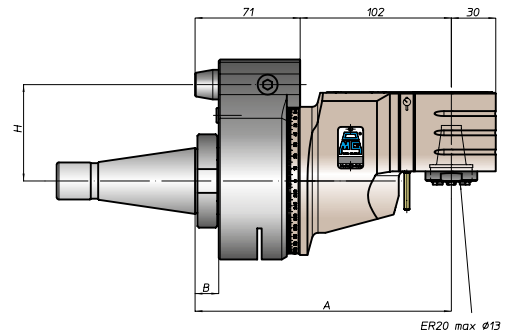
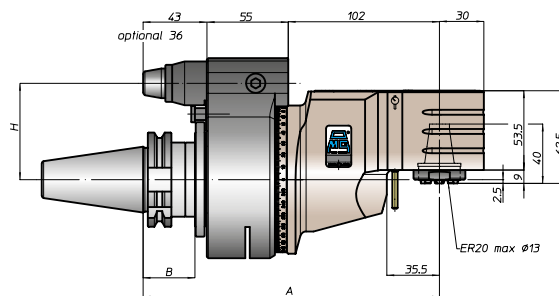
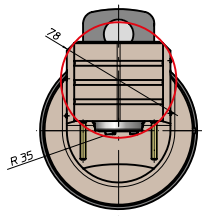
1-1



4500



45

CARATTERISTICHE  
FEATURESØ16  
PORTAFRESE  
FACE MILL ARBORØ12  
WHEL DON  
WHISTLE-NOTCHHSK32  
DIN69893-HSKMANDRINI  
DISPONIBILI  
AVAILABLE  
SPINDLESCONO  
SHANK

DIN69871



ANSIB5.50



BT



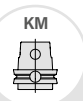
HSK

DIN69893

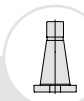


CAPTO

ISO26623



KM



DIN2080



NMTB

ANSIB5.18

SIZE

40

45

50

40

50

40

50

63

80

100

C5

C6

C8

63

80

100

40

50

40

50

A

200

200

200

208

209

204

200

170

176

173

176

B

35

35

35

45

44

46

39

41

13

16

13

16

H STANDARD

65

80

65

80

65

80

65

80

65

80

65

80

65

80

65

80

H OPTIONAL

110

110

110

110

110

110

110

110

For DIN69871, ANSIB5.50 and BT, dual contact as option



# TA013.PD

TESTA AD ANGOLO - ANGLE HEAD

FH

BAH

TA.CP

TA

MOX

HT

4-68

VH

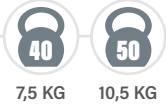
TSI/TSX

T

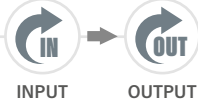
MT-TC-TC3



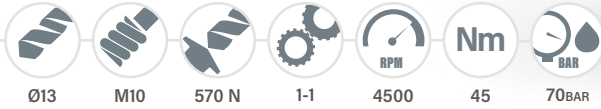
PESO  
WEIGHT



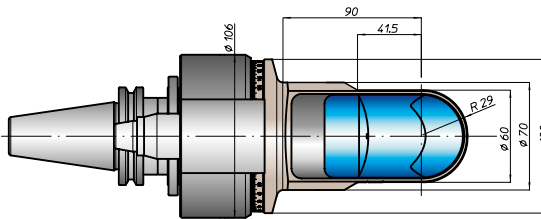
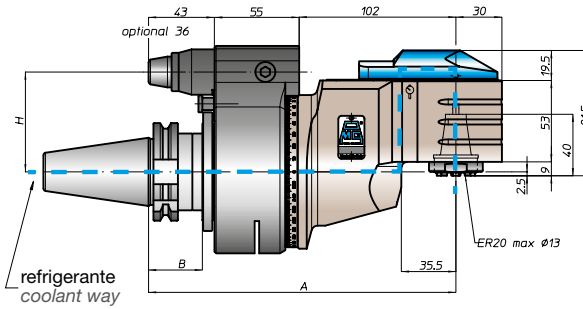
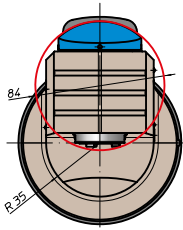
ROTAZIONE  
ROTATION



CARATTERISTICHE  
FEATURES



MANDRINI  
DISPONIBILI  
AVAILABLE  
SPINDLES



CONO  
SHANK



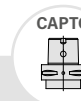
DIN69871



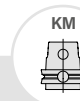
ANSIB5.50



DIN69893



ISO26623



DIN2080



ANSIB5.18

SIZE

40 45 50 40 50 40 50 63 80 100 C5 C6 C8 63 80 100

A

200 200 200 208 209 204 200

B

35 35 35 45 44 46 39 41

H STANDARD

65 80 65 80 65 80 65 80 65 80 65 80

H OPTIONAL

110 110 110 110 110 110 110

For DIN69871, ANSIB5.50 and BT, dual contact as option

FH

BAH

TA.CP

TA

MOX

HT

4-69

VH

TSI/TSX

T

MT-TC-TC3



# TA016.P

## TESTA AD ANGOLO - ANGLE HEAD



**50**  
14 KG

PESO  
WEIGHT

**IN** → **OUT**  
INPUT OUTPUT

ROTAZIONE  
ROTATION

**Ø16** **M12** **810 N** **1-1** **4000** **90**

CARATTERISTICHE  
FEATURES

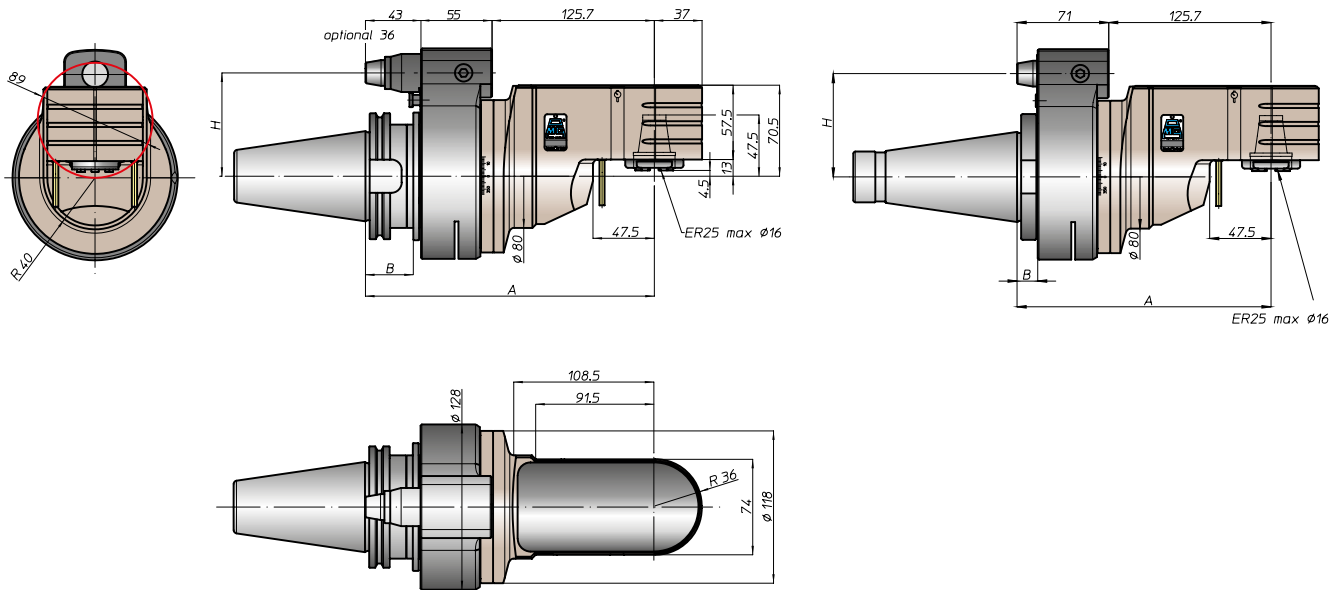
**Ø16-Ø22-Ø27**  
PORTAFRESE  
FACE MILL ARBOR

**Ø16**  
WELDON  
WHISTLE-NOTCH

**HSK40**  
DIN69893-HSK

**C4**  
COROMANT CAPTO®

MANDRINI  
DISPONIBILI  
AVAILABLE  
SPINDLES



CONO  
SHANK



**DIN69871**



**ANSIB5.50**

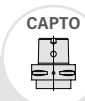


**BT**



**HSK**

**DIN69893**



**CAPTO**

**ISO26623**



**KM**



**DIN2080**

**DIN2080**



**NMTB**

**ANSIB5.18**

SIZE

45

50

50

50

80

100

C8

80

100

50

50

A

223,5

223,5

231,5

232,5

227,5

223,5

199,5

199,5

B

35

35

45

46

41

16

16

H STANDARD

80

80

80

80

80

80

80

80

H OPTIONAL

110

110

110

110

110

110

110

110

For DIN69871, ANSIB5.50 and BT, dual contact as option



# TAO16.PD

TESTA AD ANGOLO - ANGLE HEAD

FH

BAH

TA.CP

TA

MOX

HT

4-70

VH

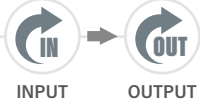
TSI/TSX

T

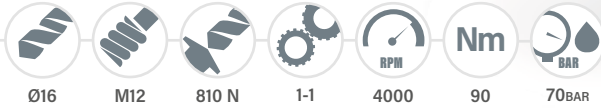
MT-TC-TC3



14 KG



INPUT OUTPUT



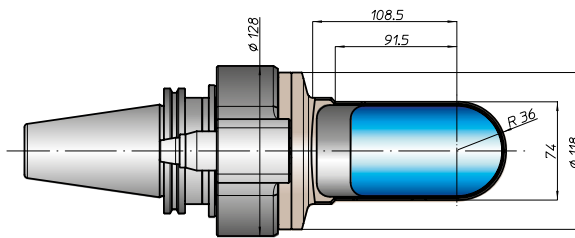
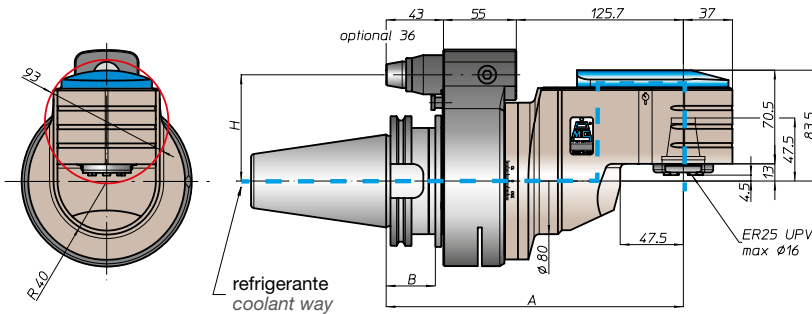
Ø16 M12 810 N 1-1 4000 90 70BAR



Ø16-022-027  
PORTAFRESE  
FACE-MILL ARBOR

Ø16  
WELDON  
WHISTLE-NOTCH

HSK40  
DIN69893-HSK



CONO SHANK



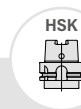
DIN69871



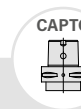
ANSIB5.50



BT

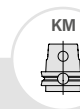


HSK



CAPTO

ISO26623



KM

DIN69893



DIN2080

DIN2080



NMTB

ANSIB5.18

SIZE

	45	50	50	50	80	100	C8	80	100		
--	----	----	----	----	----	-----	----	----	-----	--	--

A

	223,5	223,5	231,5	232,5	227,5	223,5					
--	-------	-------	-------	-------	-------	-------	--	--	--	--	--

B

	35	35	45	46	41						
--	----	----	----	----	----	--	--	--	--	--	--

H STANDARD

	80	80	80	80	80	80					
--	----	----	----	----	----	----	--	--	--	--	--

H OPTIONAL

	110	110	110	110	110	110					
--	-----	-----	-----	-----	-----	-----	--	--	--	--	--

For DIN69871, ANSIB5.50 and BT, dual contact as option

FH

BAH

TA.CP

TA

MOX

HT

4-71

VH

TSI/TSX

T

MT-TC-TC3



# TAO20.P

TESTA AD ANGOLO - ANGLE HEAD



**50**  
15 KG

PESO  
WEIGHT

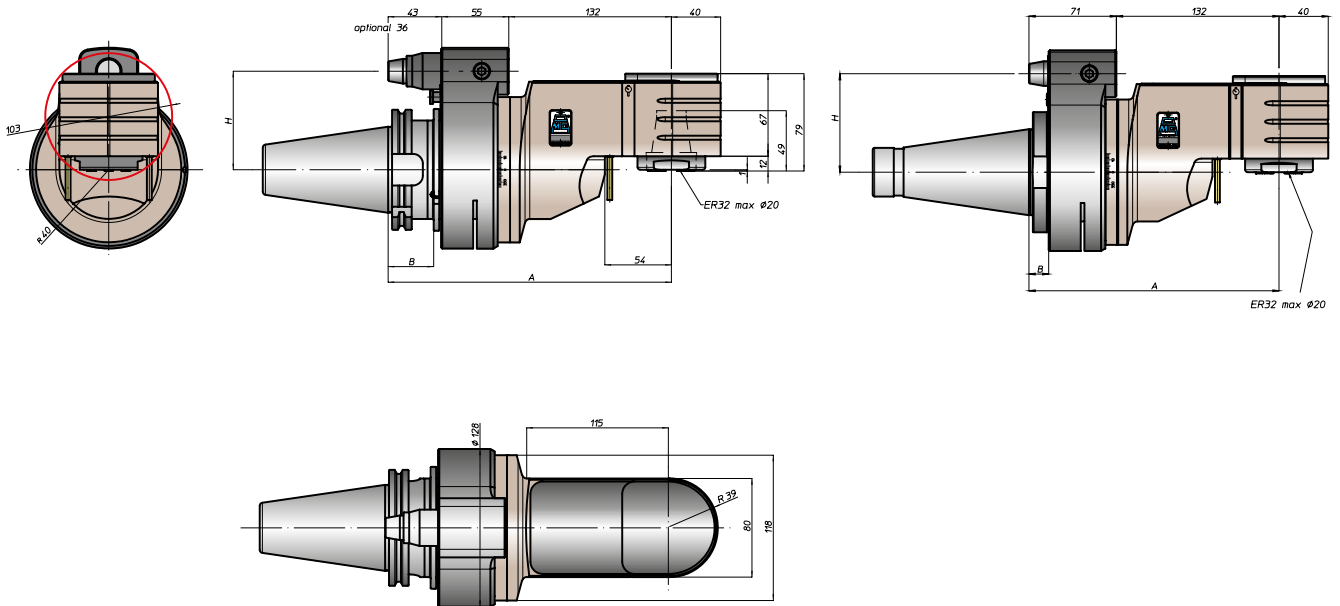
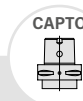
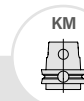
**IN** → **OUT**  
INPUT OUTPUT

ROTAZIONE  
ROTATION

**Ø20** **M14** **1150 N** **1-1** **3500** **95**

CARATTERISTICHE  
FEATURES

**ER40**  
DIN6499-ER  
**Ø22-Ø27-Ø32**  
PORTAFRESE  
FACE MILL ARBOR  
**Ø16-Ø20-Ø25**  
WELDON  
WHISTLE-NOTCH  
**HSK50**  
DIN69893-HSK  
**C4**  
COROMANT CAPTO®

MANDRINI  
DISPONIBILI  
AVAILABLE  
SPINDLESCONO  
SHANK**DIN69871****ANSIB5.50****BT****HSK****DIN69893****CAPTO****ISO26623****KM****DIN2080****NMTB****ANSIB5.18**

SIZE

45

50

50

50

80

100

C8

80

100

50

50

A

230

230

238

239

234

230

203

203

B

35

35

45

46

41

16

16

H STANDARD

80

80

80

80

80

80

80

80

H OPTIONAL

110

110

110

110

110

110

110

110

For DIN69871, ANSIB5.50 and BT, dual contact as option



# TAO20.PD

TESTA AD ANGOLO - ANGLE HEAD

FH

BAH

TA.CP

TA

MOX

HT

4-72

VH

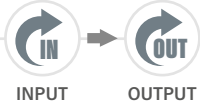
TSI/TSX

T

MT-TC-TC3

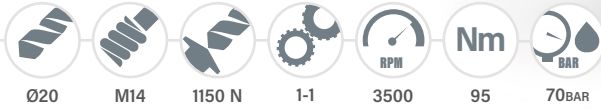


15 KG



INPUT

OUTPUT



Ø20

M14

1150 N

1-1

3500

95

70 BAR



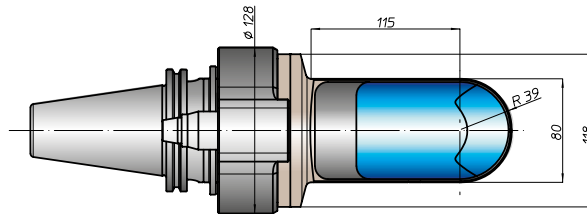
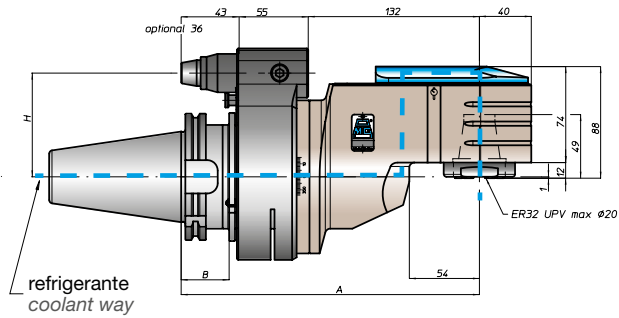
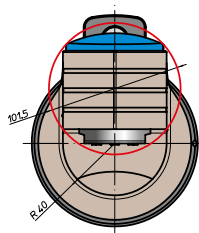
ERA0  
DIN6499-ER

Ø22-Ø27-Ø32  
PORTAFRESA  
FACE MILL ARBOR

Ø16-Ø20-Ø25  
WELDON  
WHISTLE-NOTCH

HSK50  
DIN69893-HSK

C4  
COROMANT CAPTO®



CONO  
SHANK



DIN69871



ANSIB5.50

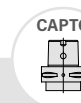


BT



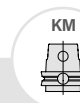
HSK

DIN69893



CAPTO

ISO26623



KM

DIN2080



NMTB

ANSIB5.18

SIZE

45

50

50

50

80

100

C8

80

100

A

230

230

238

239

234

230

B

35

35

45

46

41

H STANDARD

80

80

80

80

80

80

H OPTIONAL

110

110

110

110

110

110

For DIN69871, ANSIB5.50 and BT, dual contact as option

FH

BAH

TA.CP

TA

MOX

HT

4-73

VH

TSI/TSX

T

MT-TC-TC3



# TAO26.P

TESTA AD ANGOLO - ANGLE HEAD



24 KG

PESO  
WEIGHT

INPUT



OUTPUT

ROTAZIONE  
ROTATION

Ø26



M20



1590 N



1-1



3000



150

CARATTERISTICHE  
FEATURES

Ø27-Ø32  
PORTA-FRESSE  
FACE MILL ARBOR



Ø25-Ø32  
WELDON  
LE-NOTCH



HSK63  
DIN69893-HSK



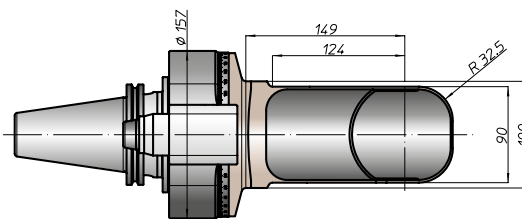
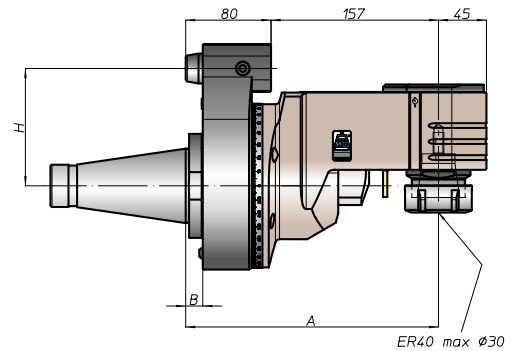
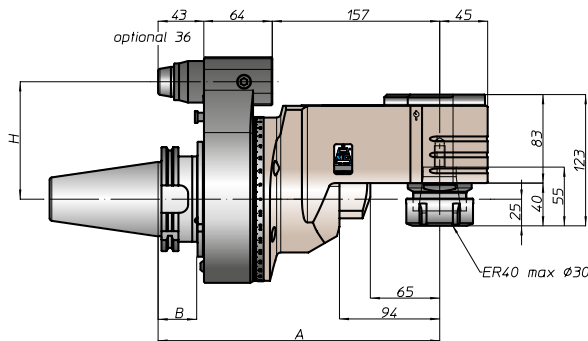
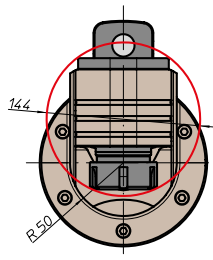
C4  
COROMANT CAPTO®



ABS63  
LICENZA KOMET®  
KOMET LICENCE®



30-40  
ISO/DIN2079  
NMTB-BT

MANDRINI  
DISPONIBILI  
AVAILABLE  
SPINDLESCONO  
SHANK

DIN69871



ANSIB5.50

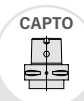


BT



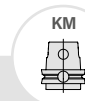
HSK

DIN69893



CAPTO

ISO26623



KM

100



DIN2080

50



NMTB

ANSIB5.18

SIZE

50

50

50

100

C8

100

50

50

A

264

264

272

273

264

270

243

243

B

36,5

36,5

44,5

45,5

41

16

16

16

H STANDARD

110

110

110

110

110

110

110

110

H OPTIONAL

For DIN69871, ANSIB5.50 and BT, dual contact as option



# TAO26.PD

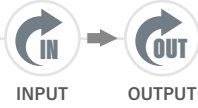
TESTA AD ANGOLO - ANGLE HEAD

PESO  
WEIGHT



24 KG

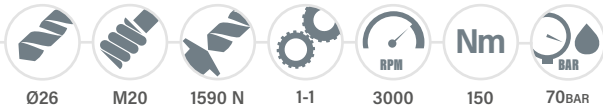
ROTAZIONE  
ROTATION



INPUT

OUTPUT

CARATTERISTICHE  
FEATURES



Ø26

M20

1590 N

1-1

3000

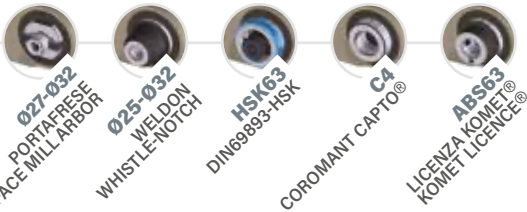
Nm

150

BAR

70

MANDRINI  
DISPONIBILI  
AVAILABLE  
SPINDLES



Ø27-Ø32

PORTAFRESE  
FACE-MILL ARBOR

Ø25-Ø32

WELD ON  
WHISTLE-NOTCH

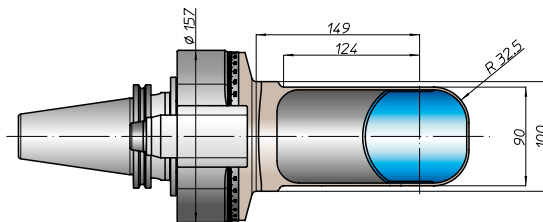
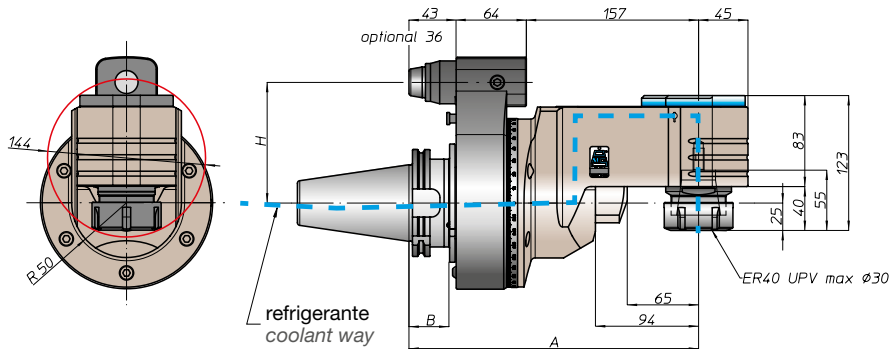
HSK63

DIN69893-HSK

C4

COROMANT CAPTO®

ABS63  
LICENZA KOMET®  
KOMET LICENCE®



CONO  
SHANK



DIN69871



ANSIB5.50



50



DIN69893

100



ISO26623

C8



100



DIN2080



ANSIB5.18

SIZE

50

50

50

100

C8

100

A

264

264

272

273

264

270

B

36,5

36,5

44,5

45,5

36,5

H STANDARD

110

110

110

110

110

110

H OPTIONAL

For DIN69871, ANSIB5.50 and BT, dual contact as option

FH

BAH

TA.CP

TA

MOX

HT

4-74

VH

TSI/TSX

T

MT-TC-TC3

