

FH

BAH

TA.CP

TA

MOx

HT

4-95

VH

TSI/TSX

T

MT-TC-TC3

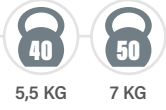


# TAF

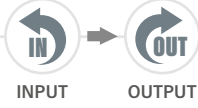
GALLERY



PESO  
WEIGHT



ROTAZIONE  
ROTATION



CARATTERISTICHE  
FEATURES



# TAFE10.P

TESTA AD ANGOLO - ANGLE HEAD

FH

BAH

TA.CP

TA

MOX

HT

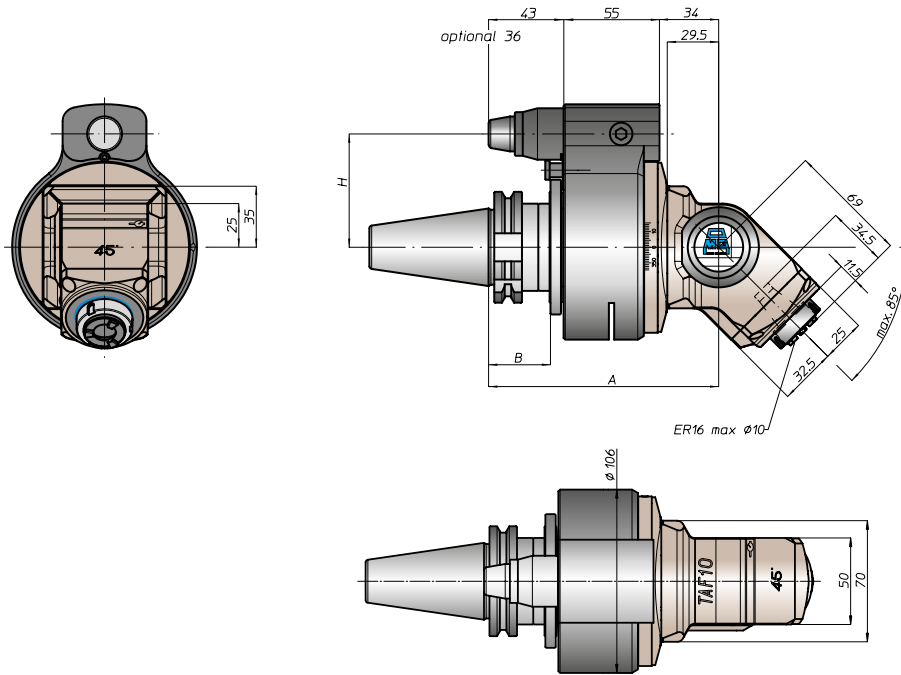
4-96

VH

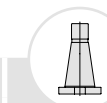
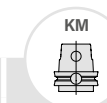
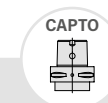
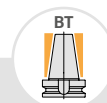
TSI/TSX

T

MT-TC-TC3



CONO  
SHANK



SIZE

30 40 45 50 40 50 40 50 63 80 100 C5 C6 C8 63 80 100

A

132 132 132 140 141 136 132

B

35 35 35 45 44 46 39 41

H STANDARD

65 80 65 80 65 80 65 80 65 80 65 80

H OPTIONAL

110 110 110 110 110 110 110



# TAF13.P

TESTA AD ANGOLO - ANGLE HEAD



6,5 KG



8,5 KG

PESO  
WEIGHT



INPUT



OUTPUT

ROTAZIONE  
ROTATION



Ø13



M10



900 N



1-1



4000



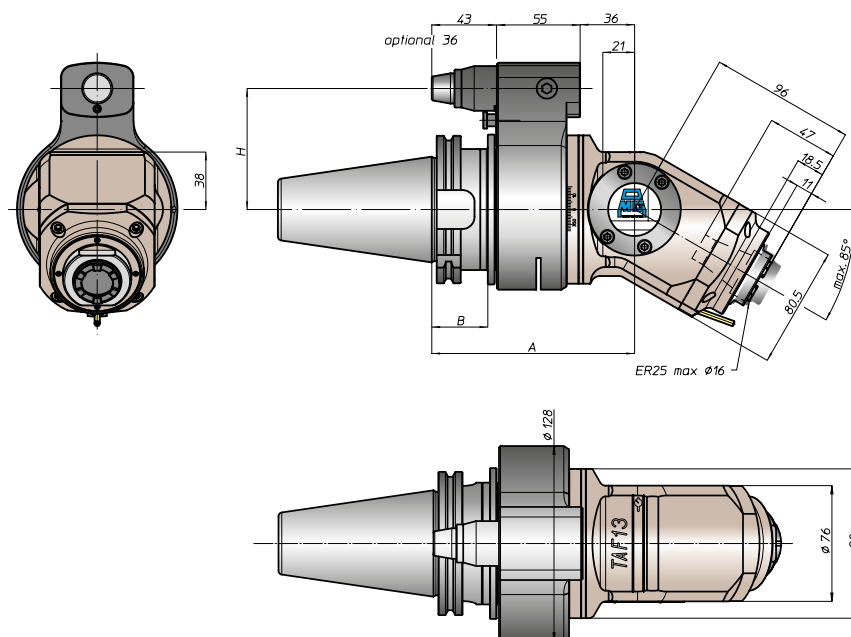
35

CARATTERISTICHE  
FEATURES



HSK32  
DIN69893-HSK

MANDRINI  
DISPONIBILI  
AVAILABLE  
SPINDLES



CONO  
SHANK



DIN69871



ANSIB5.50



BT



DIN69893



ISO26623



KM



DIN2080



ANSIB5.18

SIZE

40

45

50

40

50

40

50

63

80

100

C5

C6

C8

63

80

100

A

134

134

134

142

143

138

134

B

35

35

35

45

44

46

39

41

H STANDARD

65

80

65

80

65

80

65

80

65

80

65

80

H OPTIONAL

110

110

110

110

110

110

110

110

110

110

110

110

110

110

110

110

110

110

110

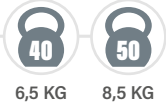
110

110

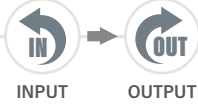
110

110

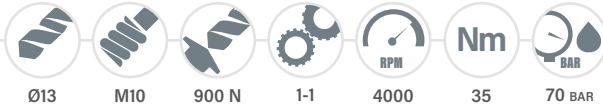
PESO  
WEIGHT



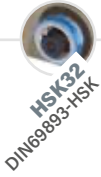
ROTAZIONE  
ROTATION



CARATTERISTICHE  
FEATURES



MANDRINI  
DISPONIBILI  
AVAILABLE  
SPINDLES



# TAFE13.PD

TESTA AD ANGOLO - ANGLE HEAD

FH

BAH

TA.CP

TA

MOX

HT

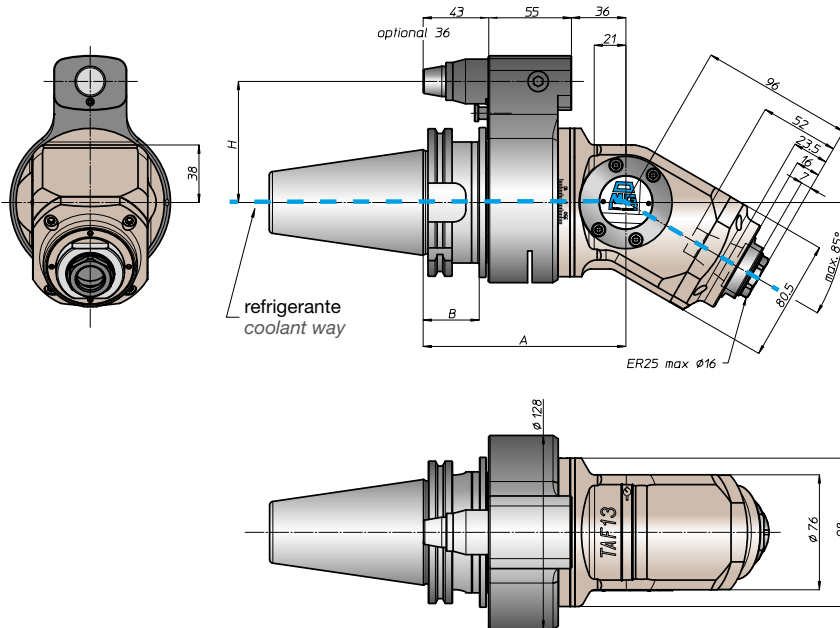
4-98

VH

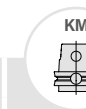
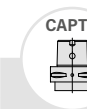
TSI/TSX

T

MT-TC-TC3



CONO  
SHANK



SIZE

40 45 50 40 50 40 50 63 80 100 C5 C6 C8 63 80 100

A

134 134 134 142 143 138 134

B

35 35 35 45 44 46 39 41

H STANDARD

65 80 65 80 65 80 65 80 65 80 65 80

H OPTIONAL

110 110 110 110 110 110 110

FH

BAH

TA.CP

TA

MOX

HT

4-99

VH

TSI/TSX

T

MT-TC-TC3



# TAF20.P

TESTA AD ANGOLO - ANGLE HEAD



13,5 KG

PESO  
WEIGHT

INPUT



OUTPUT

ROTAZIONE  
ROTATION

Ø20



M26



1610 N



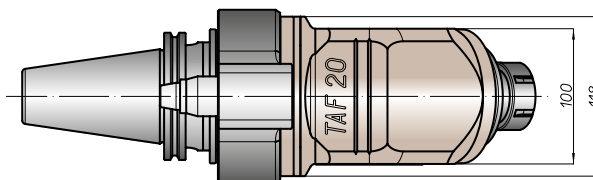
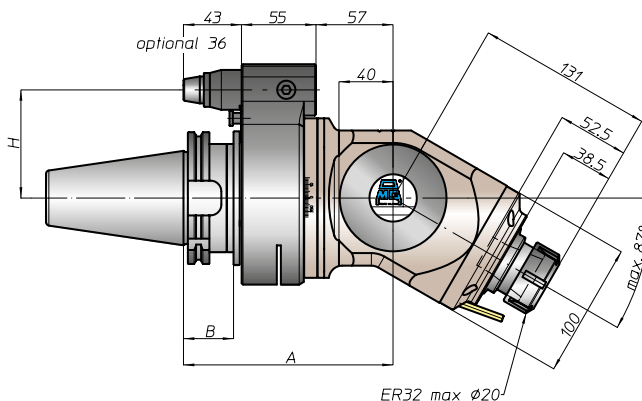
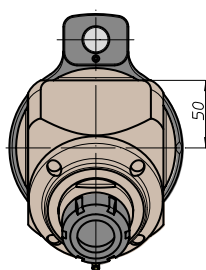
1-1



3000



79

CARATTERISTICHE  
FEATURESER40  
DIN6499-ERØ32  
PORTAFRESSE  
FACE MILL ARBORØ20  
WELD ON  
WHISTLE-NOTCHHSK50  
DIN69893-HSKABS50  
LICENZA KOMET®  
KOMET LICENCE®MANDRINI  
DISPONIBILI  
AVAILABLE  
SPINDLESCONO  
SHANK

DIN69871



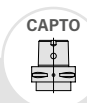
ANSIB5.50



BT



DIN69893



ISO26623



80 | 100



DIN2080



ANSIB5.18

SIZE

45

50

50

50

80

100

C6

C8

80

100

A

155

155

163

164

159

155

B

35

35

45

46

41

H STANDARD

80

80

80

80

80

80

H OPTIONAL

110

110

110

110

110

110

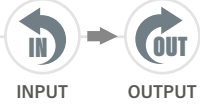


PESO  
WEIGHT



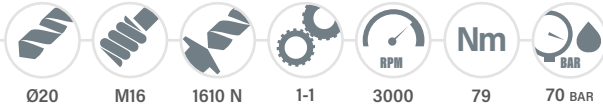
13,5 KG

ROTAZIONE  
ROTATION



INPUT OUTPUT

CARATTERISTICHE  
FEATURES



Ø20 M16 1610 N 1-1 3000 79 70 BAR

MANDRINI  
DISPONIBILI  
AVAILABLE  
SPINDLES



ER40  
DIN6499-ER

Ø20  
WELDON  
WHISTLE-NOTCH

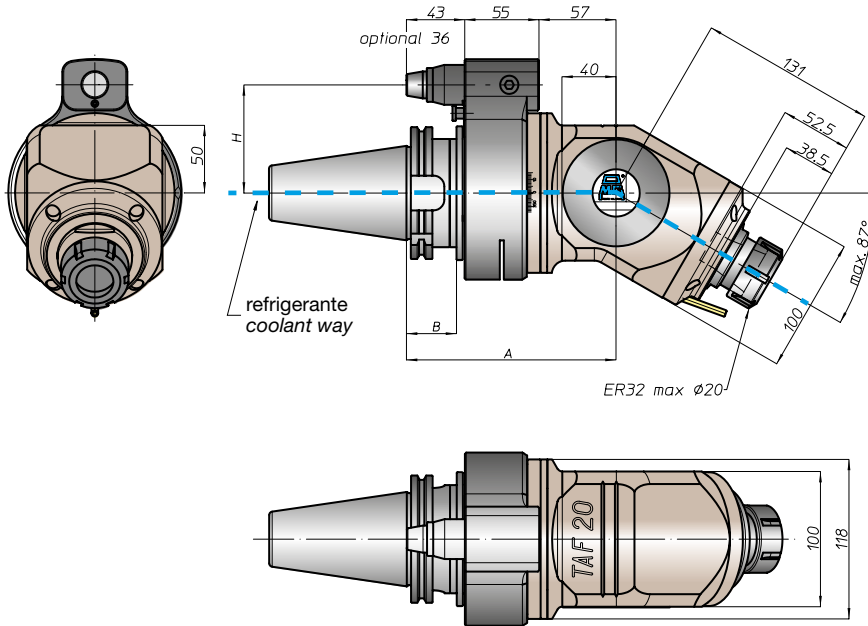
HSK50  
DIN69893-HSK

ABS50  
LICENZA KOMET®  
KOMET LICENCES®



# TAF20.PD

TESTA AD ANGOLO - ANGLE HEAD



CONO  
SHANK



DIN9871



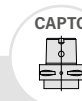
ANSIB5.50



BT

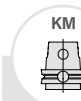


DIN69893



CAPTO

ISO26623



KM



DIN2080



NMTB

ANSIB5.18

SIZE

45 50

50

50

80 100

C6 C8

80 100

A

155

155

163

164

159

155

B

35

35

45

46

41

H STANDARD

80

80

80

80

80

80

H OPTIONAL

110

110

110

110

110

110

4-100

VH

TSI/TSX

T

MT-TC-TC3



FH

BAH

TA.CP

TA

MOX

HT