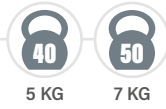
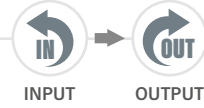


TA07.2P

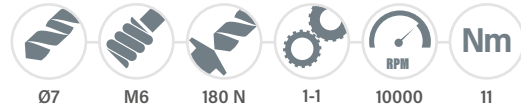
TESTA AD ANGOLO - ANGLE HEAD



PESO
WEIGHT



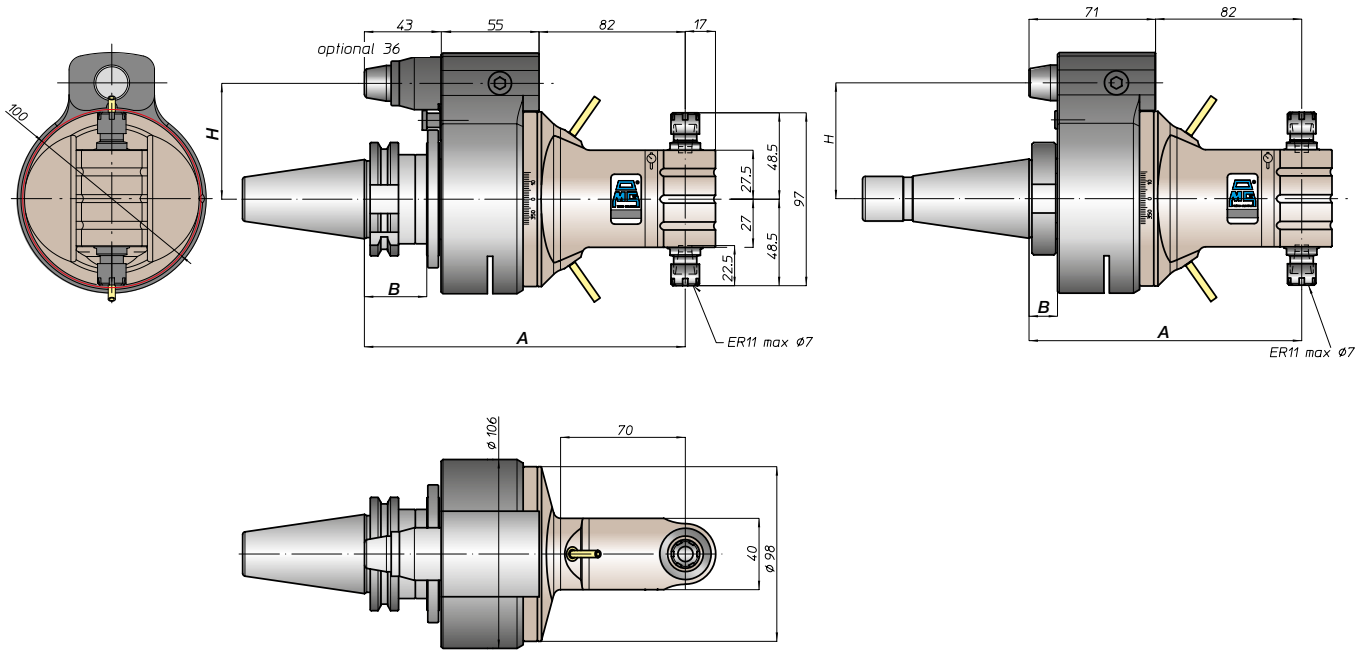
ROTAZIONE
ROTATION



CARATTERISTICHE
FEATURES



MANDRINI
DISPONIBILI
AVAILABLE
SPINDLES



CONO
SHANK



DIN69871



ANSIB5.50

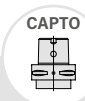


BT



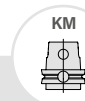
HSK

DIN69893



CAPTO

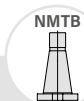
ISO26623



KM



DIN2080



NMTB

ANSIB5.18

SIZE

30 40 45 50 40 50 40 50 63 80 100 C5 C6 C8 63 80 100 40 50 40 50

A

180 180 180 188 189 184 180 150 153 150 153

B

35 35 35 45 44 46 39 41 13 16 13 16

H STANDARD

65 80 65 80 65 80 65 80 65 80 65 80 65 80 65 80

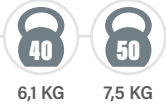
H OPTIONAL

110 110 110 110 110 110 110 110

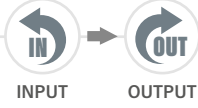
For DIN69871, ANSIB5.50 and BT, dual contact as option



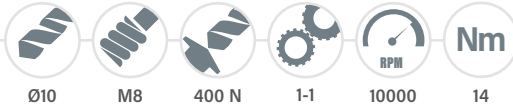
PESO
WEIGHT



ROTAZIONE
ROTATION



CARATTERISTICHE
FEATURES



TA10.2P

TESTA AD ANGOLO - ANGLE HEAD

FH

BAH

TA.CP

TA

MOX

HT

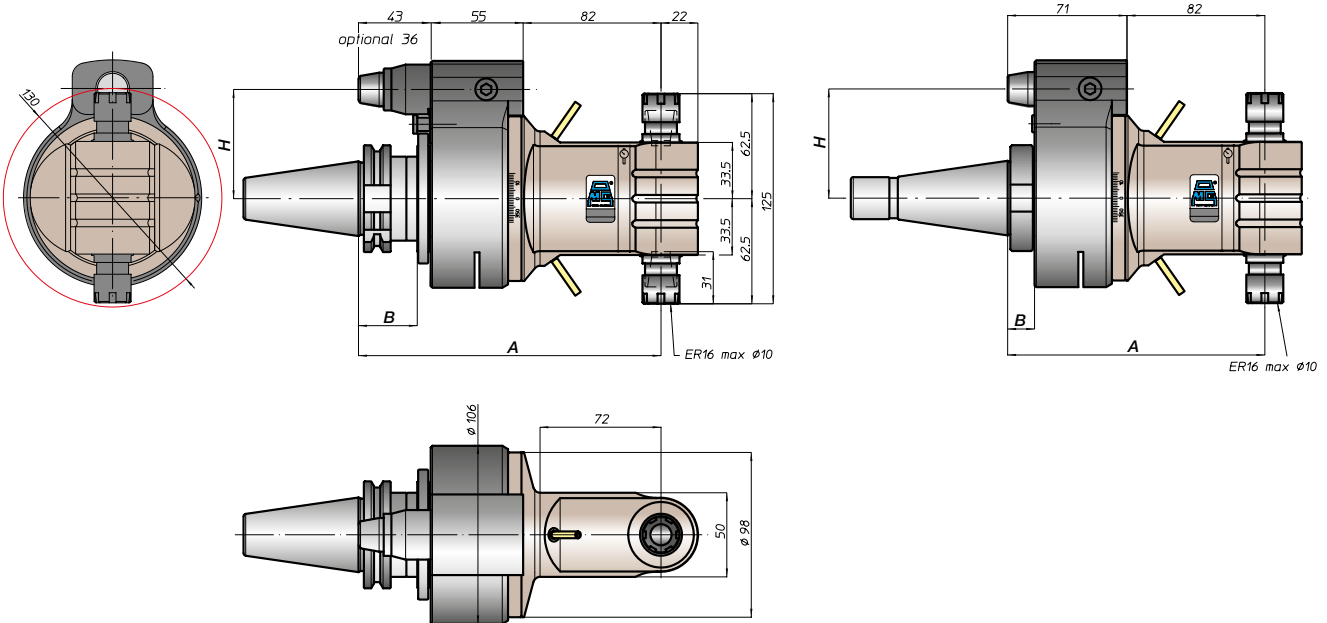
4-50

VH

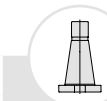
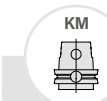
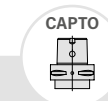
TSI/TSX

T

MT-TC-TC3



CONO
SHANK



SIZE

A

B

H STANDARD

H OPTIONAL

	30	40	45	50	40	50	40	50	63	80	100	C5	C6	C8	63	80	100	40	50	40	50		
A	180				180		180	188	189			184			180			150	153	150	153		
B	35				35		35	45	44	46				39	41				13	16	13	16	
H STANDARD	65	80	65	80	65	80	65	80	65	80	65	80	65	80	65	80	65	80	65	80	65	80	
H OPTIONAL	110				110		110			110			110			110			110			110	

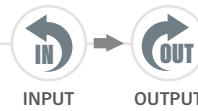
For DIN69871, ANSIB5.50 and BT, dual contact as option

TA13.2P

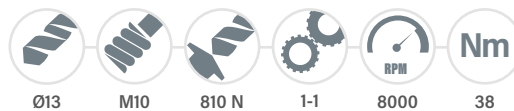
TESTA AD ANGOLO - ANGLE HEAD



PESO
WEIGHT



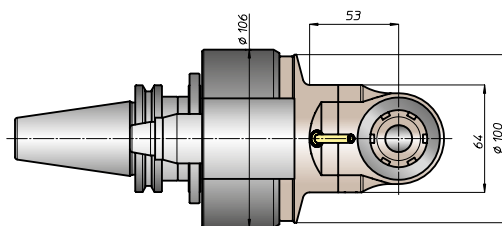
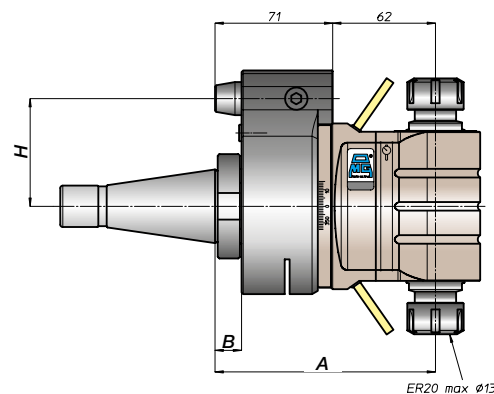
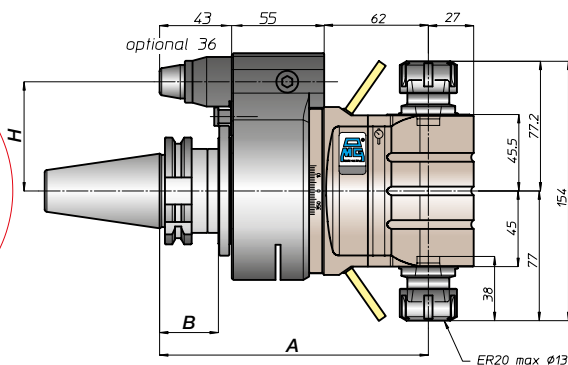
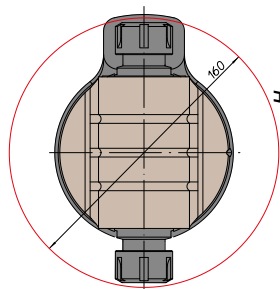
ROTAZIONE
ROTATION



CARATTERISTICHE
FEATURES



MANDRINI
DISPONIBILI
AVAILABLE
SPINDLES



CONO
SHANK



DIN69871



ANSIB5.50



BT



HSK

DIN69893



CAPTO

ISO26623



KM



DIN2080



ANSIB5.18

SIZE

40 45 50

40 50

40 50

63 80 100

C5 C6 C8

63 80 100

40 50

40 50

A

160

160

160 168

169

164

160

130 133

130 133

B

35

35

35 45

44 46

39 41

13 16

13 16

H STANDARD

65 80

65 80

65 80

65 80

65 80

65 80

65 80

65 80

H OPTIONAL

110

110

110

110

110

110

110

110

For DIN69871, ANSIB5.50 and BT, dual contact as option

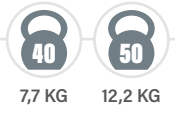


TA16.2P

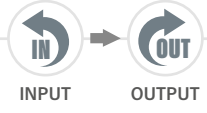
TESTA AD ANGOLO - ANGLE HEAD



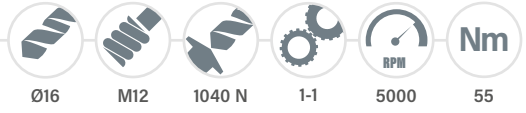
PESO
WEIGHT



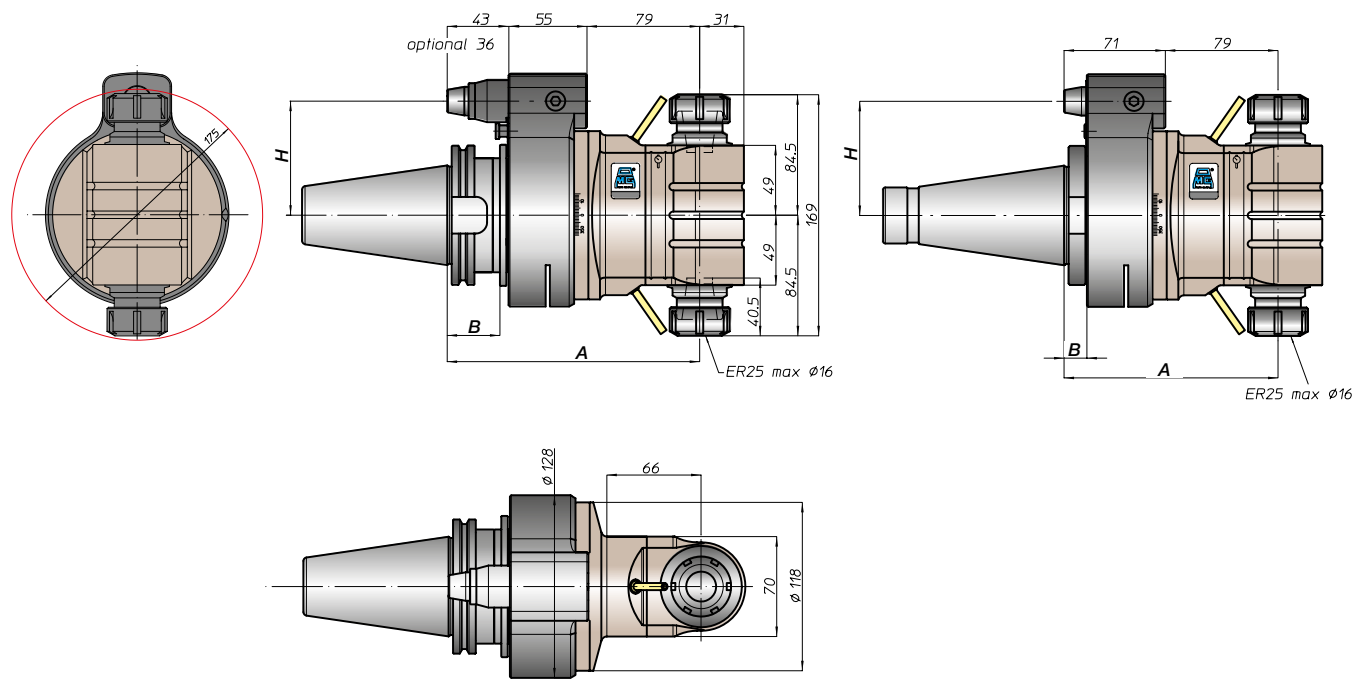
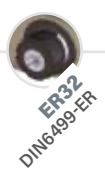
ROTAZIONE
ROTATION



CARATTERISTICHE
FEATURES



MANDRINI
DISPONIBILI
AVAILABLE
SPINDLES



CONO
SHANK

	ANSIB5.50			BT		DIN69893			ISO26623			DIN2080			ANSIB5.18								
SIZE	40	45	50	40	50	40	50	63	80	100	C5	C6	C8	63	80	100	40	50	40	50			
A	172	177	172	172	177	172	185	181	186	176	181	172	177	147	150	142	150	142	150	142	150		
B	35		35		35	45	44	46				39	41				13	16	13	16	13	16	
H STANDARD	65	80	65	80	65	80	65	80				65	80	65	80	65	80	65	80	65	80	65	80
H OPTIONAL	110		110		110	110						110		110			110		110		110		

For DIN69871, ANSIB5.50 and BT, dual contact as option

TA20.2P

TESTA AD ANGOLO - ANGLE HEAD



15 KG

PESO
WEIGHT

INPUT



OUTPUT

ROTAZIONE
ROTATION

Ø20



M14



1460 N



1-1



3500



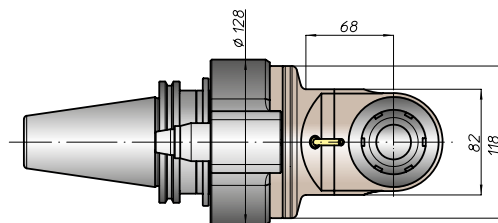
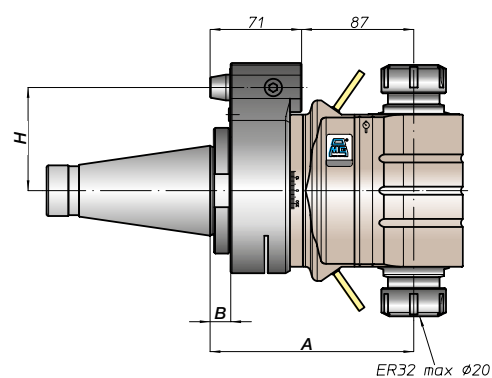
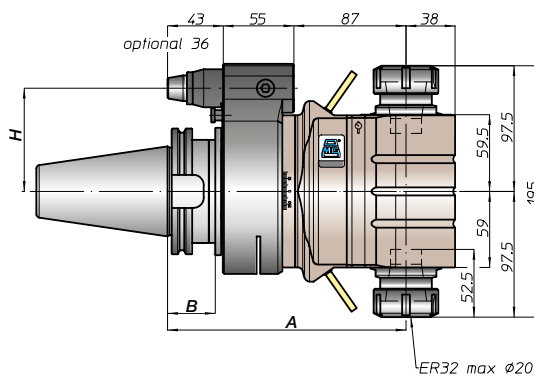
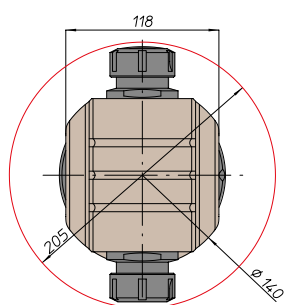
90

CARATTERISTICHE
FEATURES

Ø27-Ø32
PORTAFRESSE
FACE MILL ARBOR



Ø20
WELDON
WHISTLE-NOTCH

MANDRINI
DISPONIBILI
AVAILABLE
SPINDLESCONO
SHANK

DIN69871



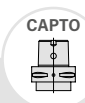
ANSIB5.50



BT

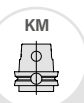


HSK

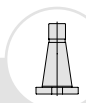


CAPTO

ISO26623



KM



DIN2080



NMTB

ANSIB5.18

SIZE

45

50

50

50

80

100

C8

80

100

50

50

A

185

185

193

194

189

185

158

158

B

35

35

45

46

41

16

16

H STANDARD

80

80

80

80

80

80

80

80

H OPTIONAL

110

110

110

110

110

110

110

110

For DIN69871, ANSIB5.50 and BT, dual contact as option



TA26.2P

TESTA AD ANGOLO - ANGLE HEAD



PESO WEIGHT

22,5 KG

ROTAZIONE ROTATION

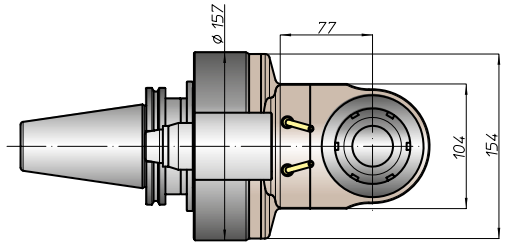
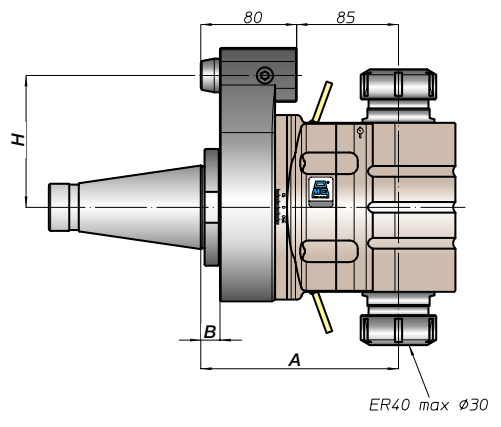
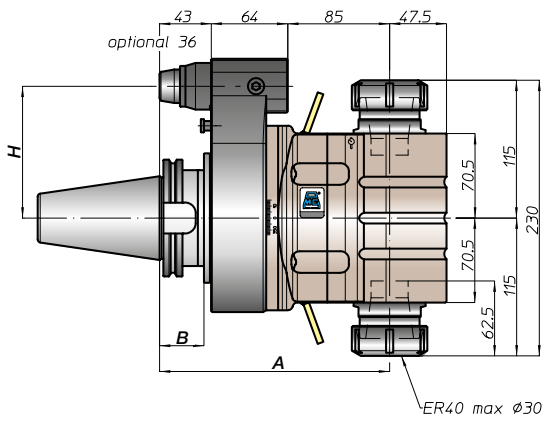
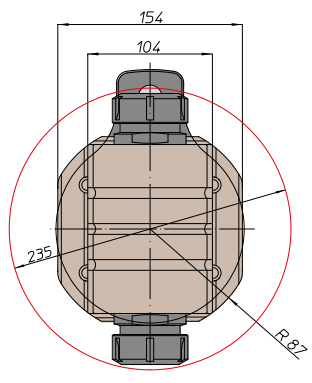
INPUT OUTPUT

CARATTERISTICHE FEATURES

Ø26 M20 3020 N 1-1 2500 165

MANDRINI DISPONIBILI AVAILABLE SPINDLES

Ø16-Ø27-Ø32 PORTA-FRESA FACE-MILL ARBOR
Ø32 WELDON WHISTLE-NOTCH
ABS50 LICENZA KOMET® KOMET LICENCES®



CONO SHANK

DIN69871	ANSIB5.50			ISO26623	KM	DIN2080	ANSIB5.18

SIZE	45 50	50	50	80 100	C8	100	50 50
A	192	192	200	201	196	192	165 165
B	37	37	45	46	41	16	16 16
H STANDARD	110	110	110	110	110	110	110 110
H OPTIONAL							

For DIN69871, ANSIB5.50 and BT, dual contact as option