

FH

BAH

TA.CP

TA

MOX

HT

4-55

VH

TSI/TSX

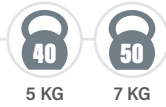
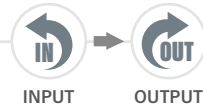
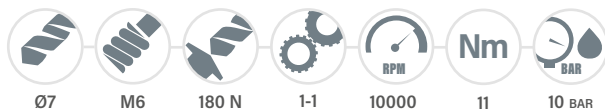
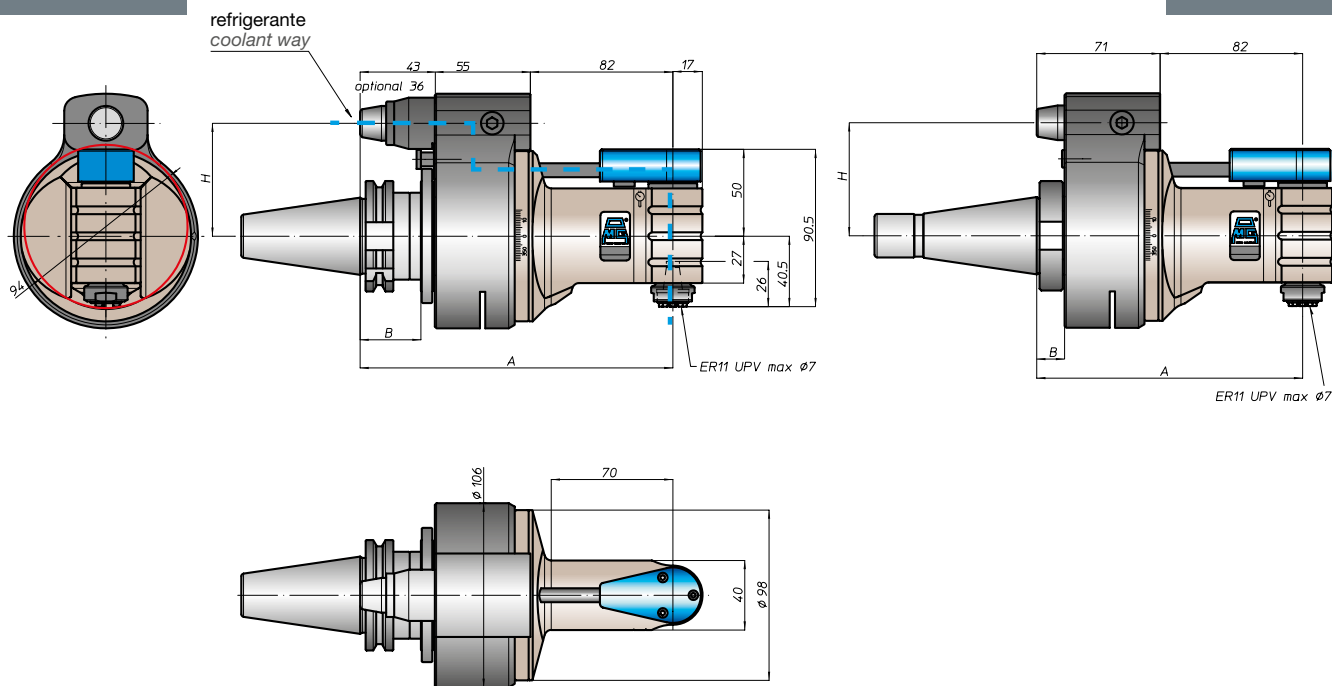
T

MT-TC-TC3



TA07.PD

TESTA AD ANGOLO - ANGLE HEAD

PESO
WEIGHTROTAZIONE
ROTATIONCARATTERISTICHE
FEATURESCONO
SHANK

DIN69871



ANSIB5.50

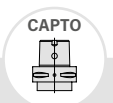


BT



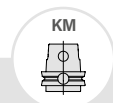
HSK

DIN69893



CAPTO

ISO26623



KM

DIN2080



DIN2080

ANSIB5.18



ANSIB5.18

SIZE

30 40 45 50 40 50 40 50 63 80 100

C5 C6 C8

63 80 100

40 50

40 50

A

150

150

150 158

159

154

150

120 123

120 123

B

35

35

35 45

44 46

39 41

13 16

13 16

13 16

H STANDARD

65 80

65 80

65 80

65 80

65 80

65 80

65 80

65 80

H OPTIONAL

110

110

110

110

110

110

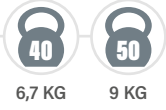
110

110

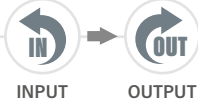
For DIN69871, ANSIB5.50 and BT, dual contact as option



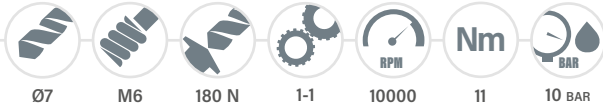
PESO
WEIGHT



ROTAZIONE
ROTATION



CARATTERISTICHE
FEATURES



TA07.PDL

TESTA AD ANGOLO - ANGLE HEAD

FH

BAH

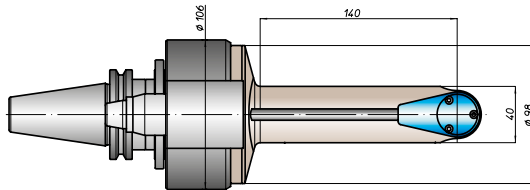
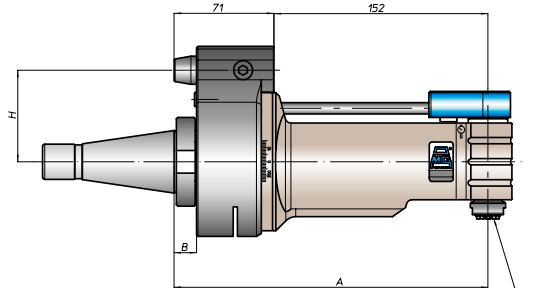
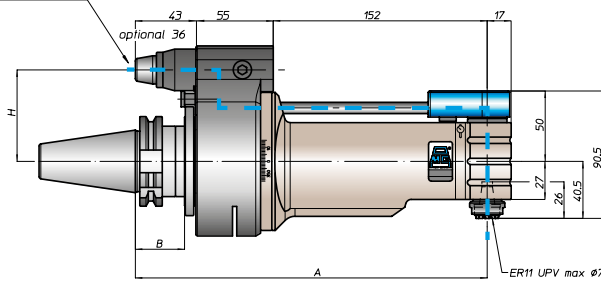
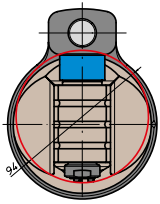
TA.CP

TA

MOX

HT

refrigerante
coolant way



4-56

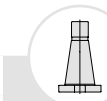
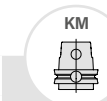
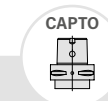
VH

TSI/TSX

T

MT-TC-TC3

CONO
SHANK



SIZE

A

B

H STANDARD

H OPTIONAL

	DIN69871			ANSIB5.50		BT		HSK			CAPTO			KM			DIN2080		ANSIB5.18	
	40	45	50	40	50	40	50	63	80	100	C5	C6	C8	63	80	100	40	50	40	50
A	250			250		250	258	259			254			250			220	223	220	223
B	35			35		35	45	44	46		39	41					13	16	13	16
H STANDARD	65	80		65	80	65	80	65	80		65	80	65	80	65	80	65	80	65	80
H OPTIONAL	110			110		110		110			110			110			110		110	

For DIN69871, ANSIB5.50 and BT, dual contact as option



FH

BAH

TA.CP

TA

MOX

HT

4-57

VH

TSI/TSX

T

MT-TC-TC3



TA10.PD

TESTA AD ANGOLO - ANGLE HEAD



40
5,8 KG

50
8 KG

PESO
WEIGHT

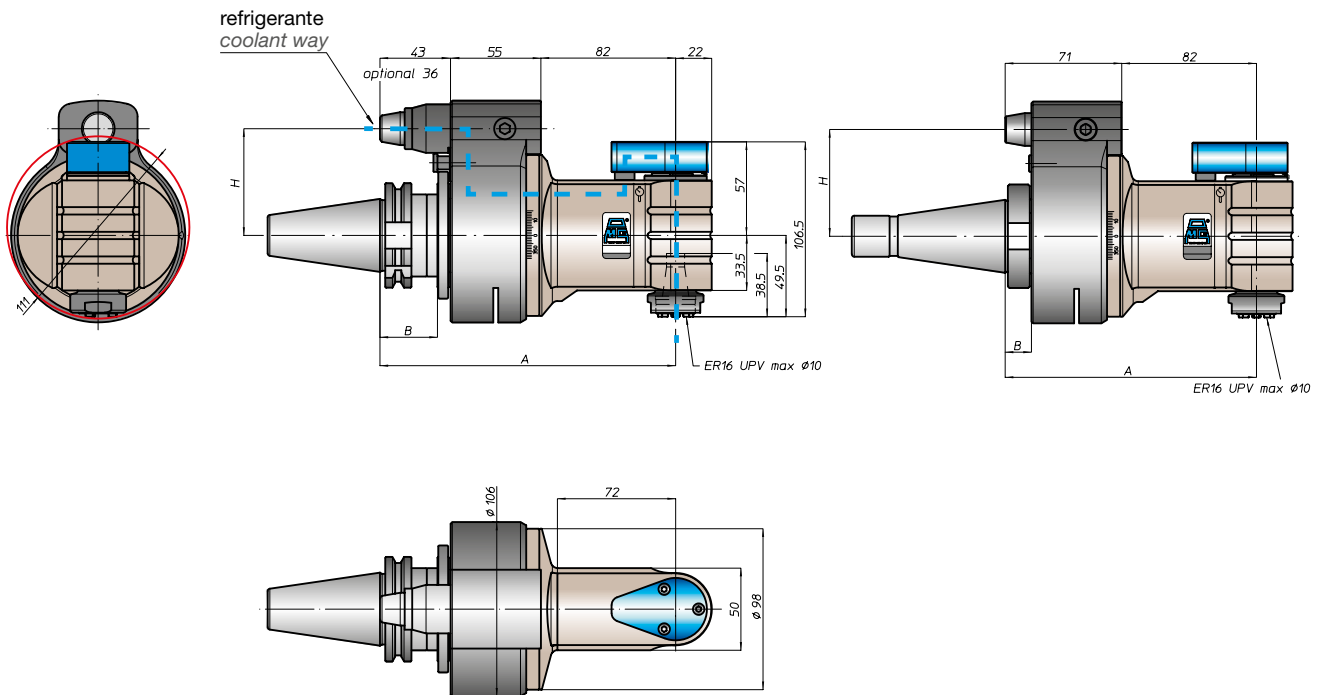
IN
INPUT

OUT
OUTPUT

ROTAZIONE
ROTATION



CARATTERISTICHE
FEATURES



CONO
SHANK



DIN69871



ANSIB5.50



BT



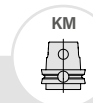
HSK

DIN69893



CAPTO

ISO26623



KM



DIN2080

DIN2080



NMTB

ANSIB5.18

SIZE

30 40 45 50 40 50 40 50 63 80 100

C5 C6 C8

63 80 100

40 50

40 50

A

180

180

180 188

189

184

180

150 153

150 153

13 16

13 16

H STANDARD

65 80

65 80

65 80

65 80

65 80

65 80

65 80

65 80

65 80

65 80

H OPTIONAL

110

110

110

110

110

110

110

110

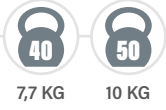
110

110

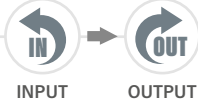
For DIN69871, ANSIB5.50 and BT, dual contact as option



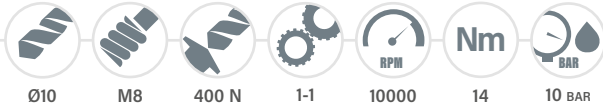
PESO
WEIGHT



ROTAZIONE
ROTATION



CARATTERISTICHE
FEATURES



TA10.PDL

TESTA AD ANGOLO - ANGLE HEAD

FH

BAH

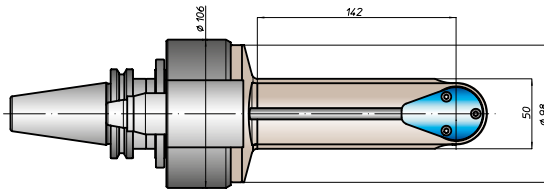
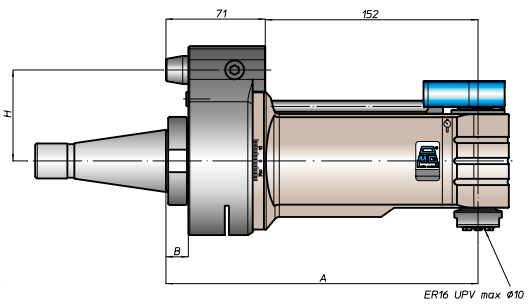
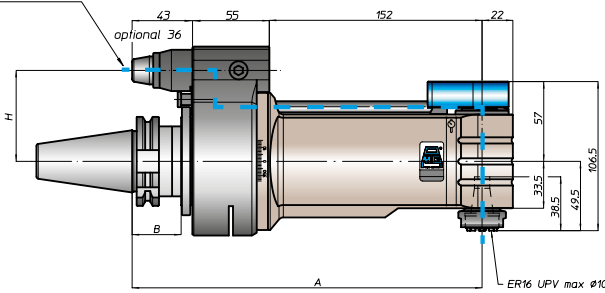
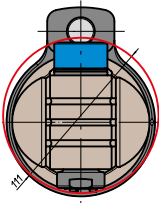
TA.CP

TA

MOX

HT

refrigerante
coolant way



4-58

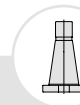
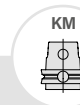
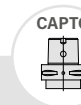
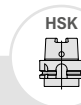
VH

TSI/TSX

T

MT-TC-TC3

CONO
SHANK



SIZE

A

B

H STANDARD

H OPTIONAL

	ANSIB5.50			BT		DIN69893			CAPTO			KM			DIN2080		ANSIB5.18			
	40	45	50	40	50	40	50	63	80	100	C5	C6	C8	63	80	100	40	50	40	50
A	250			250	258	259			284			250			220	223	220	223		
B	35			35	35	45	44	46	39	41				13	16	13	16			
H STANDARD	65	80	65	80	65	80	65	80	65	80	65	80	65	80	65	80	65	80		
H OPTIONAL	110		110		110		110		110			110		110		110				

For DIN69871, ANSIB5.50 and BT, dual contact as option



FH

BAH

TA.CP

TA

MOX

HT

4-59

VH

TSI/TSX

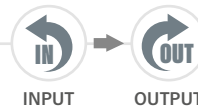
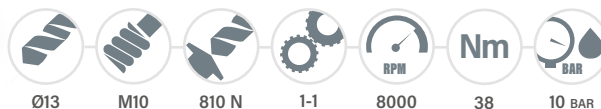
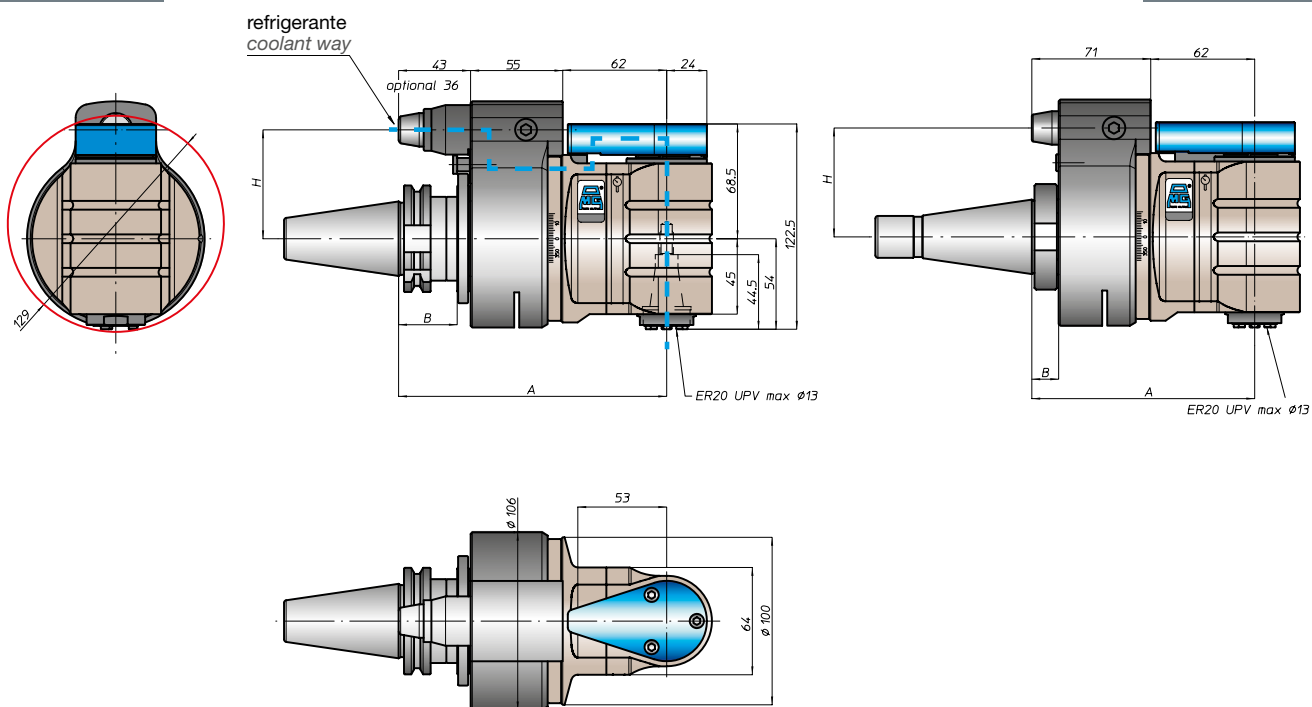
T

MT-TC-TC3



TA13.PD

TESTA AD ANGOLO - ANGLE HEAD

PESO
WEIGHTROTAZIONE
ROTATIONCARATTERISTICHE
FEATURESCONO
SHANK

DIN69871



ANSIB5.50

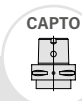


BT



HSK

DIN69893

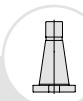


CAPTO

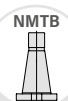
ISO26623



KM



DIN2080



ANSIB5.18

SIZE

40

45

50

40

50

40

50

63

80

100

C5

C6

C8

63

80

100

40

50

40

50

A

160

160

160

168

169

164

160

130

133

130

133

B

35

35

35

45

44

46

39

41

13

16

13

16

H STANDARD

65

80

65

80

65

80

65

80

65

80

65

80

65

80

65

80

65

80

65

80

H OPTIONAL

110

110

110

110

110

110

110

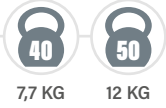
110

110

For DIN69871, ANSIB5.50 and BT, dual contact as option

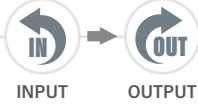


PESO
WEIGHT



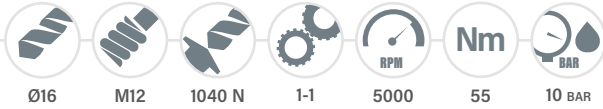
7,7 KG 12 KG

ROTAZIONE
ROTATION



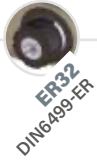
INPUT OUTPUT

CARATTERISTICHE
FEATURES



Ø16 M12 1040 N 1-1 5000 55 10 BAR

MANDRINI
DISPONIBILI
AVAILABLE
SPINDLES



ER32
DIN6499-ER



TA16.PD

TESTA AD ANGOLO - ANGLE HEAD

FH

BAH

TA.CP

TA

MOX

HT

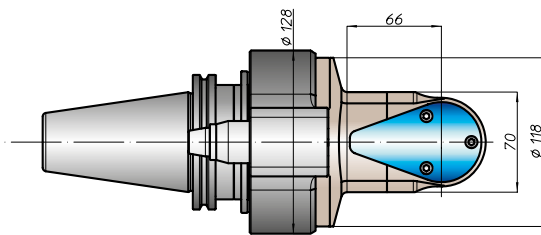
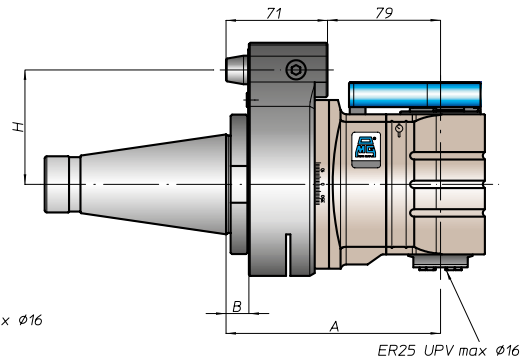
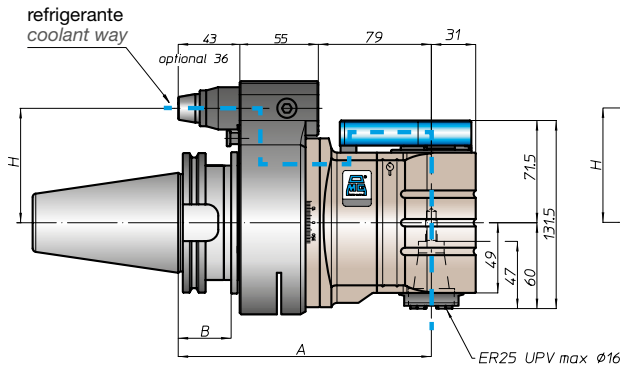
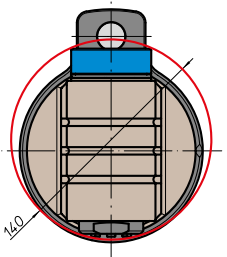
4-60

VH

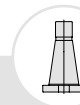
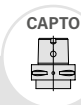
TSI/TSX

T

MT-TC-TC3



CONO
SHANK



ANSIB5.50

DIN69893

ISO26623

DIN2080

ANSIB5.18

SIZE

40 45 50 40 50 40 50 63 80 100 C5 C6 C8 63 80 100 40 50 40 50

A

172 177 172 177 172 185 181 186 176 181 172 177 147 150 142 150

B

35 35 35 45 44 46 39 41 13 16 13 16

H STANDARD

65 80 65 80 65 80 65 80 65 80 65 80 65 80 65 80

H OPTIONAL

110 110 110 110 110 110 110 110

For DIN69871, ANSIB5.50 and BT, dual contact as option

TA20.PD

TESTA AD ANGOLO - ANGLE HEAD



14,5 KG

PESO
WEIGHT

INPUT



OUTPUT

ROTAZIONE
ROTATION

Ø20



M14



1460 N



1-1



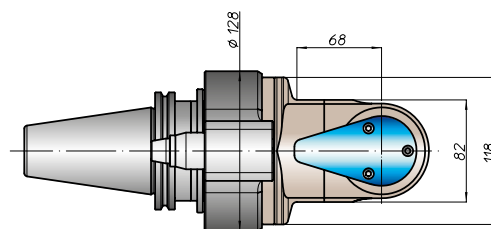
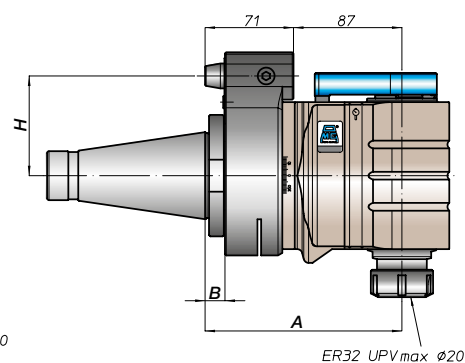
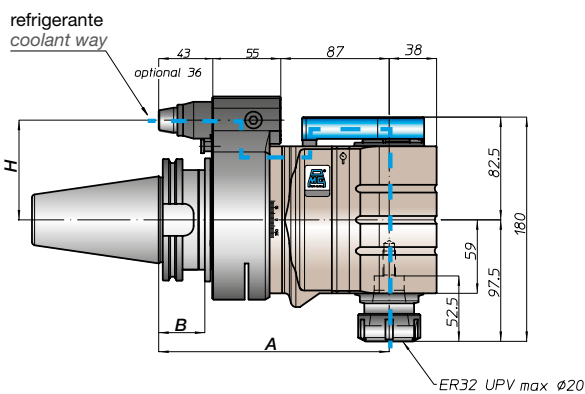
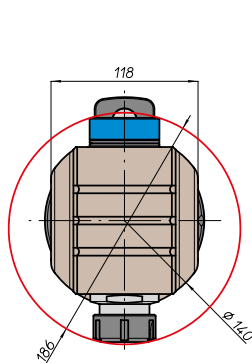
3500



90



10 BAR

CARATTERISTICHE
FEATURESCONO
SHANK

DIN69871



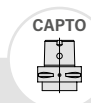
ANSIB5.50



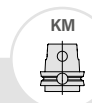
BT



HSK



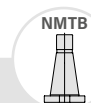
CAPTO



KM



DIN2080



NMTB

ANSIB5.18

SIZE

45

50

50

50

80

100

C8

80

100

50

50

A

185

185

193

194

189

185

158

158

B

35

35

45

46

41

80

16

16

H STANDARD

80

80

80

80

80

80

80

H OPTIONAL

110

110

110

110

110

110

110

110

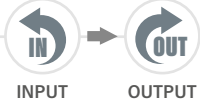
For DIN69871, ANSIB5.50 and BT, dual contact as option

PESO
WEIGHT



22 KG

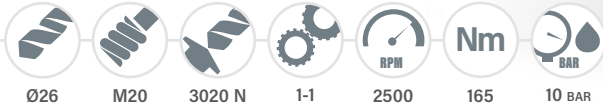
ROTAZIONE
ROTATION



INPUT

OUTPUT

CARATTERISTICHE
FEATURES



Ø26

M20

3020 N

1-1

2500

165

10 BAR



TA26.PD

TESTA AD ANGOLO - ANGLE HEAD

FH

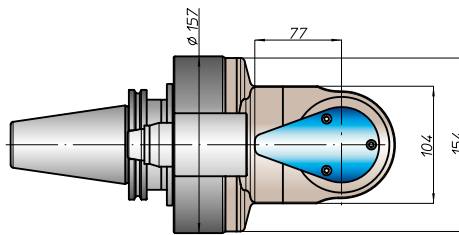
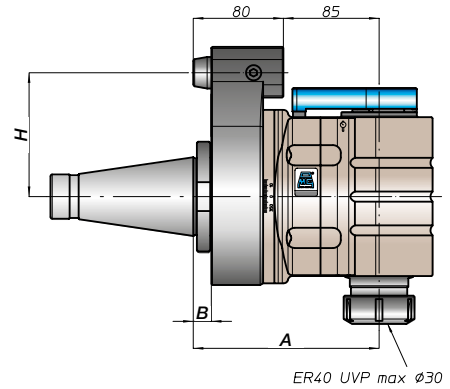
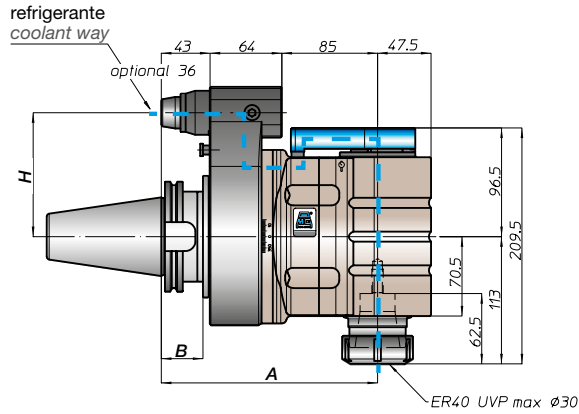
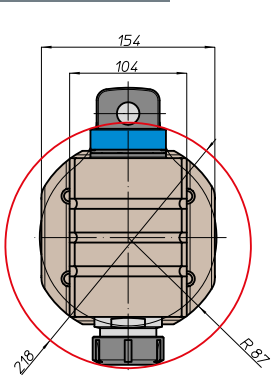
BAH

TA.CP

TA

MOX

HT



4-62

VH

TSI/TSX

T

MT-TC-TC3

CONO
SHANK



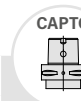
DIN69871



ANSIB5.50



DIN69893



ISO26623



DIN2080



ANSIB5.18

SIZE

45

50

50

50

80

100

C8

100

50

50

A

192

192

200

201

196

192

165

165

B

37

37

45

46

41

16

16

H STANDARD

110

110

110

110

110

110

110

110

H OPTIONAL

For DIN69871, ANSIB5.50 and BT, dual contact as option



FH

BAH

TA.CP

TA

MOX

HT

4-63

VH

TSI/TSX

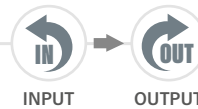
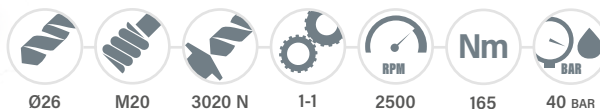
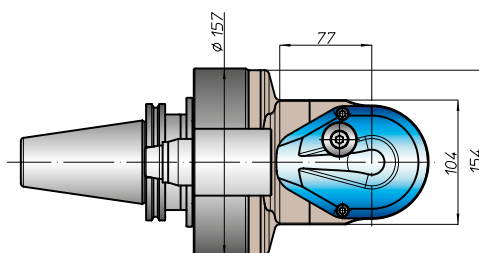
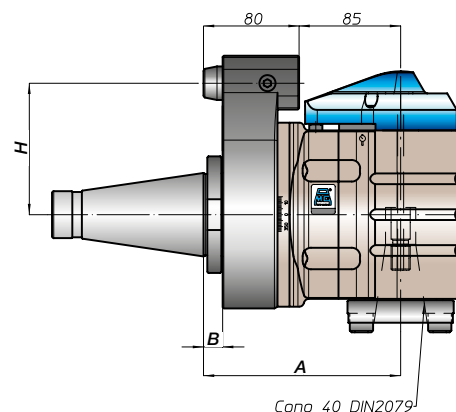
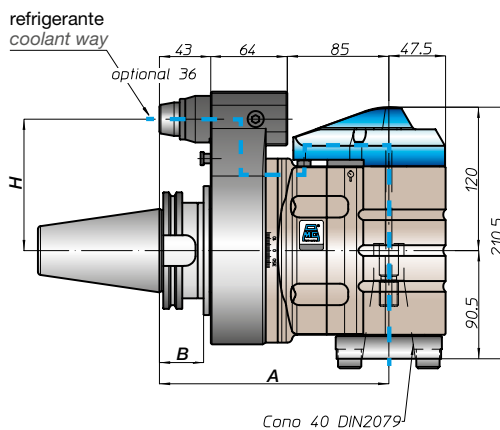
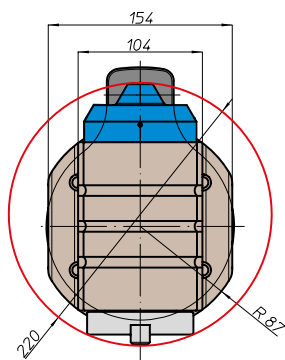
T

MT-TC-TC3



TA26.40.D

TESTA AD ANGOLO - ANGLE HEAD

PESO
WEIGHTROTAZIONE
ROTATIONCARATTERISTICHE
FEATURESCONO
SHANK

DIN69871



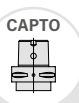
ANSIB5.50



BT



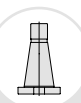
DIN69893



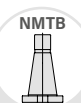
ISO26623



KM



DIN2080



ANSIB5.18

SIZE

45

50

50

50

80

100

C8

100

50

50

A

192

192

200

201

196

192

165

165

B

37

37

45

46

41

110

16

16

H STANDARD

110

110

110

110

110

110

110

H OPTIONAL

For DIN69871, ANSIB5.50 and BT, dual contact as option





FH

BAH

TA.CP

TA

MOX

HT

4-64

VH

TSI/TSX

T

MT-TC-TC3

