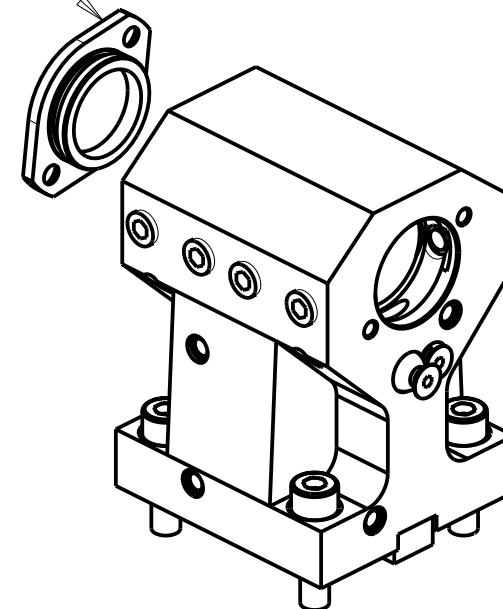


KIT ADDUZIONE INTERNA (OPZIONALE)  
 KIT FOR INTERNAL COOLANT (OPTIONAL)  
 KIT FUER INTERNE KUEHLMITTELZUFUHR (OPTIONAL)  
 Ø32 - Ø1 1/4" cod. KIT1000001



Cod. MT	Reversibile lato mandrino/contromandrino Reversible sub/main spindle side Umkehrbare Spindel-seite/ Gegenspindel-seite	Lubrificazione int. opzionale Coolant through optional Innenkuehlung Optional	Lubrificazione est. Ext. coolant Aussenkuehlung	Misure Dimensions Masse	D
DW02273200	X	X	X	mm	32
DW02273175	X	X	X	Inch	1 1/4"

PER BOCCOLE DI RIDUZIONE VEDI PAG. TBL150-1-00  
 FOR REDUCING BUSHINGS SEE PAGE TBL150-1-00  
 FÜR REDUZIERBUCHSE SIEHE SEITE TBL150-1-00

## SPINNER

MOD: TC300 12ST. - TC600 16ST. - TTC300 12 ST. - TTS42/65 (BMT45 SHORT) - MICROTURNS 36/52

PORTAUTENSILE ASSIALE PER BARENO Ø32mm / Ø1 1/4" H=85mm

Axial single boring bar holder Ø32mm / Ø1 1/4" H=85mm

Axial Bohrhälter Ø32mm / Ø1 1/4" H=85mm

Subject to change without notice.

**M.T. srl**

Via Casino Albini 480  
 Tel. 0541/956034-957884  
 Fax 0541/956341

47842 S. GIOVANNI IN M. (RN)  
 e-mail: mtma@mtmarchetti.com  
 http://www.mtmarchetti.com



SPN660-1-10