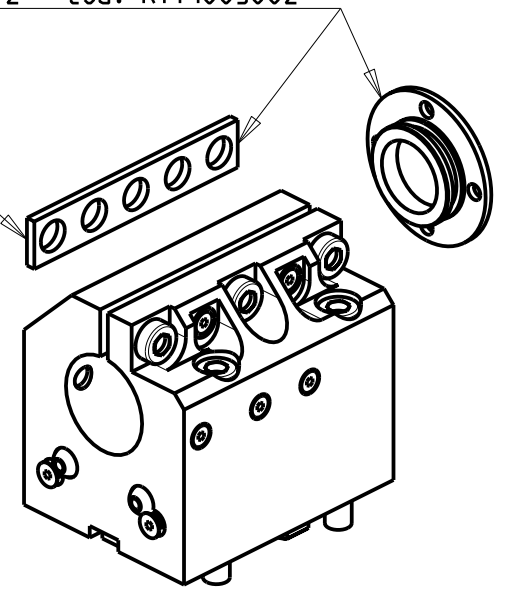


KIT ADDUZIONE INTERNA (OPZIONALE)
 KIT FOR INTERNAL COOLANT (OPTIONAL)
 KIT FUER INTERNE KUEHLMITTELZUFUHR (OPTIONAL)

Ø25 cod. KIT1003006
 Ø1 1/2" cod. KIT1003004
 Ø40 cod. KIT1003003
 Ø50-Ø2" cod. KIT1003002

SOLO GUARNIZIONE (OPZIONALE)
 ONLY SEAL (OPTIONAL)
 NUR DICHTUNG (OPTIONAL)
 cod. 0520013



PER BOCCOLE DI RIDUZIONE VEDI PAG. TBL150-1-00
 FOR REDUCING BUSHINGS SEE PAGE TBL150-1-00
 FÜR REDUZIERBUCHSE SIEHE SEITE TBL150-1-00

| Cod. MT | N°Utensili N°Tools N°Werkzeuge | Reversibile lato mandrino/contromandrino Reversible sub/main spindle side Umkehrbare Spindelseite/ Gegenspindelseite | Lubrificazione int. opzionale Coolant through optional Innenkuehlung Optional | Lubrificazione est. Ext. coolant Aussenkuehlung | Misure Dimensions Masse | D | A | B | H | H1 |
|---------|--------------------------------------|---|--|---|-------------------------------|--------|----|----|------|-----|
| 0832500 | 1 | X | X | X | mm | 25 | 55 | 55 | 33 | 105 |
| 0834000 | 1 | X | X | X | mm | 40 | 64 | 46 | 40 | 112 |
| 0833810 | 1 | X | X | X | Inch | 1 1/2" | 64 | 46 | 40 | 112 |
| 0835000 | 1 | X | X | X | mm | 50 | 64 | 46 | 46.5 | 118 |
| 0835080 | 1 | X | X | X | Inch | 2" | 64 | 46 | 46.5 | 118 |

SPINNER

MOD: TC800 SMCY (BMT65)

PORTAUTENSILE ASSIALE PER BARENO Ø25/Ø40mm/Ø1 1/2"/Ø50mm/Ø2" H=72mm
 Axial single boring bar holder Ø25/Ø40mm/Ø1 1/2"/Ø50mm/Ø2" H=72mm
 Axial Bohrhälter Ø25/Ø40mm/Ø1 1/2"/Ø50mm/Ø2" H=72mm

M.T. srl
 Via Casino Albini 480
 Tel. 0541/956034-957884
 Fax 0541/956341
 47842 S. GIOVANNI IN M. (RN)
 e-mail: mtma@tmarchetti.com
 http://www.mtmarchetti.com



SPN610-2-20

Subject to change without notice.