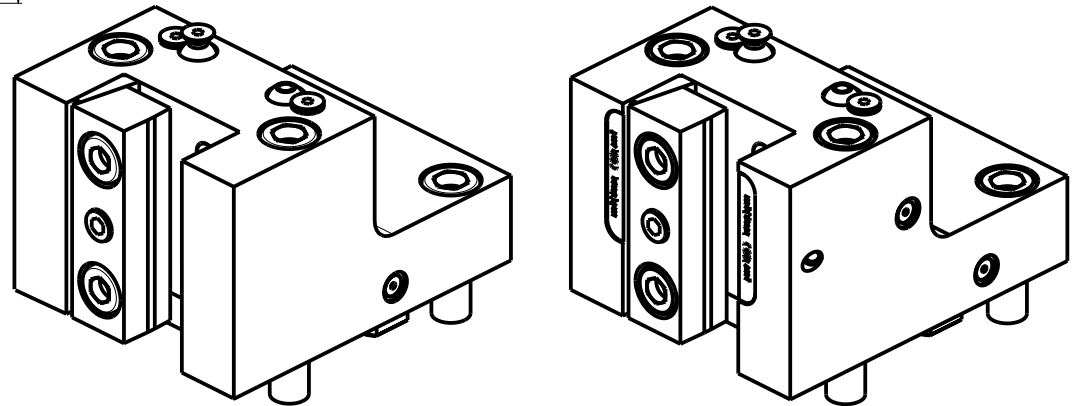


DW 014 22510



Cod. MT	N°Utensili N°Tools N°Werkzeuge	Reversibile lato mandrino/contromandrino Reversible sub/main spindle side Umkehrbare Spindel-seite/ Gegenspindel-seite	Lubrificazione int. Coolant through Innenkuehlung Pmax [bar]	Lubrificazione est. Ext. coolant Aussenkuehlung	Misure Dimensions Masse	L	B	H
DW04282500	1	X	-	X	mm	81	25	25
DW04282540	1	X	-	X	Inch	81	1"	1"
DW01422510	1	X	70	X	mm	70	25	25

SPINNER
 MOD: TC800 SMCY - TTS85/125 12ST. (BMT65)

PORTAUTENSILE RADIALE SINGOLO QD=25mm / QD=1" H=75mm
 Radial single static tool QD=25mm / QD=1" H=75mm
 Radial Single-Werkzeughalter QD=25mm / QD=1" H=75mm

M.T. srl
 Via Casino Albini 480
 Tel. 0541/956034-957884
 Fax 0541/956341
 47842 S. GIOVANNI IN M. (RN)
 e-mail: mtma@mtmarchetti.com
 http://www.mtmarchetti.com



SPN423-2-10

Subject to change without notice.