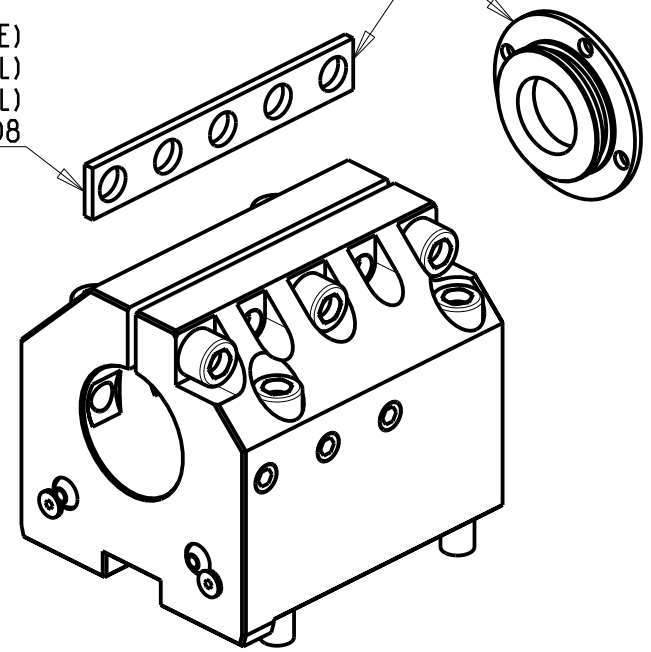


KIT ADDUZIONE INTERNA (OPZIONALE)  
 KIT FOR INTERNAL COOLANT (OPTIONAL)  
 KIT FUER INTERNE KUEHLMITTELZUFUHR (OPTIONAL)  
 Ø1 1/2" cod. KIT1001004  
 Ø40 cod. KIT1001003  
 Ø50-Ø2" cod. KIT1001002

SOLO GUARNIZIONE (OPZIONALE)  
 ONLY SEAL (OPTIONAL)  
 NUR DICHTUNG (OPTIONAL)  
 cod. MNL0110008



PER BOCCOLE DI RIDUZIONE VEDI PAG. TBL150-1-00  
 FOR REDUCING BUSHINGS SEE PAGE TBL150-1-00  
 FÜR REDUZIERBUCHSE SIEHE SEITE TBL150-1-00

Cod. MT	N°Utensili N°Tools N°Werkzeuge	Reversibile lato mandrino/contromandrino Reversible sub/main spindle side Umkehrbare Spindel-seite/ Gegenspindel-seite	Lubrificazione int. opzionale Coolant through optional Innenkuehlung Optional	Lubrificazione est. Ext. coolant Aussenkuehlung	Misure Dimensions Masse	D
DW00364000	1	X	X	X	mm	40
DW00363810	1	X	X	X	Inch	1 1/2"
DW00365000	1	X	X	X	mm	50
DW00365080	1	X	X	X	Inch	2"

SMEC (SAMSUNG)  
 MOD: PL800VM - SLV800M

PORTAUTENSILE ASSIALE PER BARENO Ø40mm/Ø1 1/2"/Ø50mm/Ø2" H=60mm  
 Axial single boring bar holder Ø40mm/Ø1 1/2"/Ø50mm/Ø2" H=60mm  
 Axial Bohrhälter Ø40mm/Ø1 1/2"/Ø50mm/Ø2" H=60mm

**M.T. srl**  
 Via Casino Albini 480  
 Tel. 0541/956034-957884  
 Fax 0541/956341  
 47842 S. GIOVANNI IN M. (RN)  
 e-mail: mtma@tmarchetti.com  
 http://www.mtmarchetti.com



SMG610-2-20

Subject to change without notice.