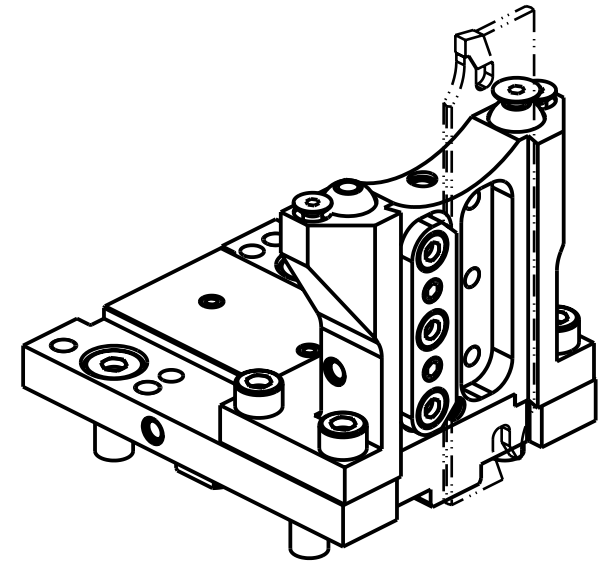
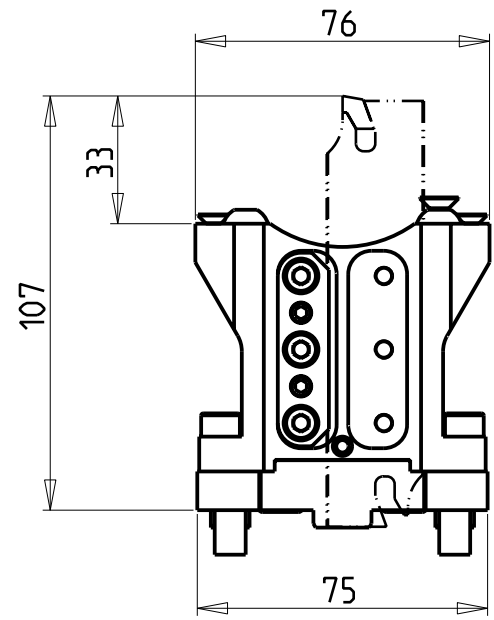
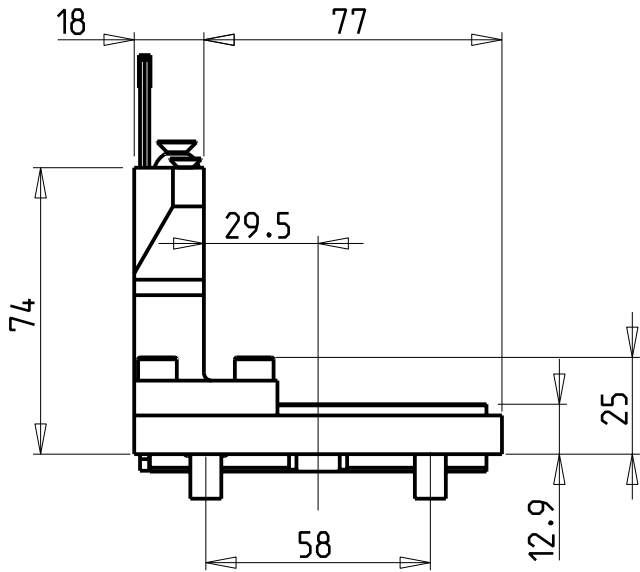


POSSIBILITA' DI LAVORO M3/M4  
 OPTION OF M3/M4 WORKING  
 ARBEITSMÖGLICHKEIT M3/M4



LAMA ED INSERTI NON INCLUSI (OPZIONALI)  
 BLADE AND INSERTS NOT INCLUDED (OPTIONAL)  
 KLINGE UND EINSATZE NICHT INBEGRIFFEN (OPTIONAL)

Cod. MT	N°Utensili N°Tools N°Werkzeuge	Reversibile lato mandrino/contromandrino Reversible sub/main spindle side Umkehrbare Spindel-seite/ Gegenspindel-seite	Lubr.esterna Ext. coolant Auslenkuehlung
DW01570126	1	X	X

SMEC (SAMSUNG)  
 MOD: PL1600M/CM - PL2000M - SL15M - NS 2100SY

PORTAUTENSILE RADIALE PER LAMA  
 Radial blade holder  
 Radial Abstechhalter

**M.T. srl**  
 Via Casino Albini 480  
 Tel. 0541/956034-957884  
 Fax 0541/956341  
 47842 S. GIOVANNI IN M. (RN)  
 e-mail: mtma@mtmarchetti.com  
 http://www.mtmarchetti.com



SMG520-4-10

Subject to change without notice.

09/2025