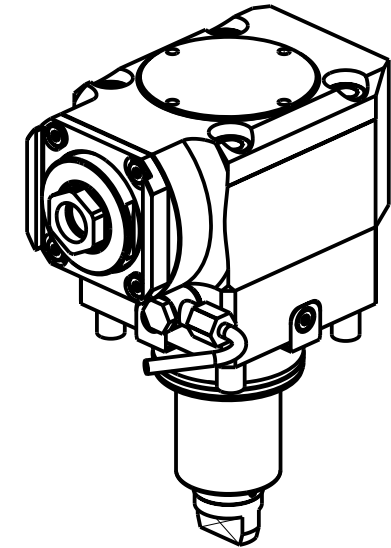
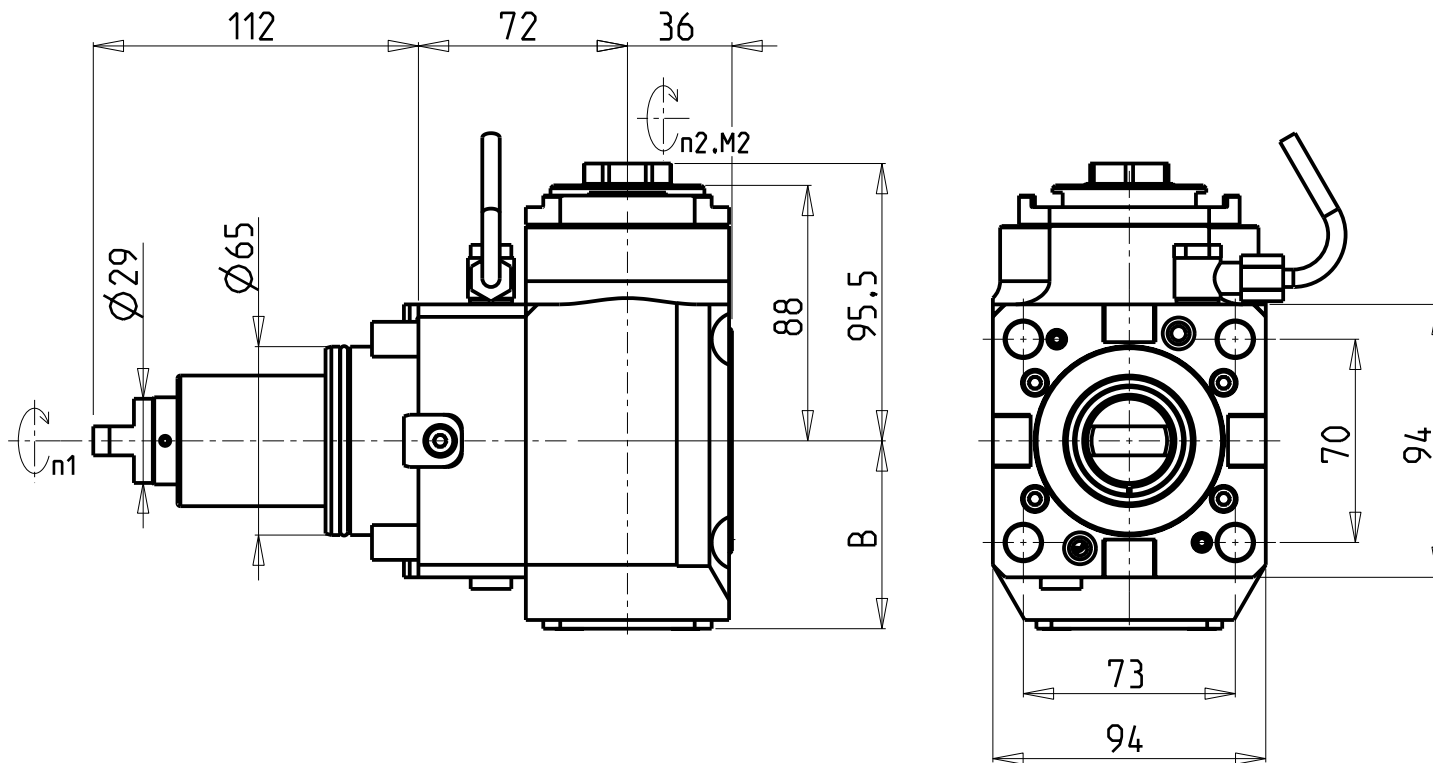


ATTENZIONE - ATTENTION - ACHTUNG

- VERIFICARE LE MISURE DI INGOMBRO PER POSSIBILE INTERFERENZA SU ALCUNI MODELLI DI MACCHINE
- Please check the overall sizes for possible interferences on some machine models
- Bitte überprüfen sie das ausmass um mögliche interferenzen auf einigen maschinen modellen zu vermeiden



- Chiave inclusa
- Key included
- Schluessel inbegriffen

| Cod. MT | Mandrino Spindle Spindel | I (n1:n2) | RPM max n2 | Coppia Max Max Torque Max Drehmoment M2 (Nm) | Reversibile 180° 180° Reversible 180° umsetzbar | Lubrificazione int. Coolant through Innenkuehlung Pmax (bar) | Lubr.esterna Ext. coolant Aussenkuehlung | Lav. secco Dry-run Trocken Bearb. | B | CHIAVI NON INCLUSE Keys not included Schluessel nicht einbegriffen | |
|-------------|--------------------------|-----------|------------|--|---|--|--|-----------------------------------|------|--|--------|
| DW 03780125 | ER A 25 | 1:2 | 12000 | 30 | X | - | X | X | 64.7 | OKU0650004 | CHUB27 |
| DW 03780225 | ER A 25 | 1:2 | 12000 | 30 | X | 100 (diag. 2) | X | X | 73.2 | OKU0650004 | CHUB27 |

SMEC (SAMSUNG)

MOD: SL 20/25/35 MC - PL 20/25/35 MC - SL25ASY - PL2000/2500SY - SL2500/3000 M/Y/SY - SL3500Y - SLV500M

MODULO MOTORIZZATO ASSIALE MOLTIPLICATO I=1:2 H=72mm

Axial geared-up I=1:2 driven tool H=72mm

Axial angetriebenes Werkzeug uebersetzt I=1:2 H=72mm

Subject to change without notice.

M.T. srl

Via Casino Albini 480
Tel. 0541/956034-957884
Fax 0541/956341
47842 S. GIOVANNI IN M. (RN)
e-mail: mtma@mtmarchetti.com
http://www.mtmarchetti.com



SMG200-1-10