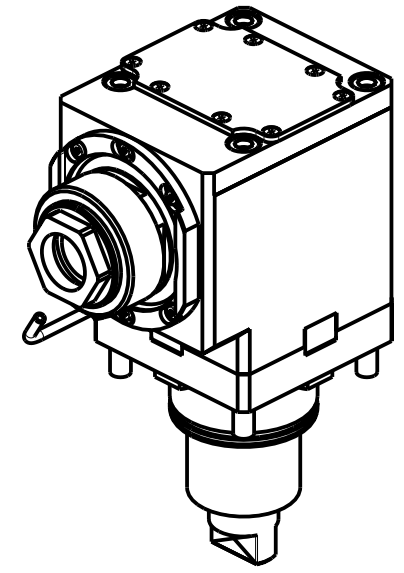


ATTENZIONE - ATTENTION - ACHTUNG

- VERIFICARE LE MISURE DI INGOMBRO PER POSSIBILE INTERFERENZA SU ALCUNI MODELLI DI MACCHINE
- Please check the overall sizes for possible interferences on some machine models
- Bitte überprüfen sie das ausmass um mögliche interferenzen auf einigen maschinen modellen zu vermeiden



Cod. MT	Mandrino Spindle Spindel	I (n1:n2)	RPM max n2	Coppia Max Max Drehmoment	Reversibile 180° 180° Reversible 180° umsetzbar	Lubrificazione int. Coolant through Innenkuehlung	Lubr.esterna Ext. coolant Aussenkuehlung	Lav. secco Dry-run Trocken Bearb.	B	CHIAVI NON INCLUSE Keys not included Schluessel nicht einbegriffen	
				M2 (Nm)		Pmax (bar)				CHUB50	NZL0010023
DW01210150	ER A 50	2:1	1500	300	X	-	X	X	65.5	CHUB50	NZL0010023
DW01210250	ER A 50	2:1	1500	300	X	100 (diag. 2)	X	X	82	CHUB50	NZL0010023

- Chiave inclusa
- Key included
- Schluessel inbegriffen

SMEC (SAMSUNG)
 MOD: SL60/65 MC - PL60/65/70/80 MC - SLV1000M - SL6500/8500M
 MODULO MOTORIZZATO ASSIALE RIDOTTO I=2:1 H=110mm
 Axial geared-down I=2:1 driven tool H=110mm
 Axial angetriebenes Werkzeug untersetzt I=2:1 H=110mm

M.T. srl
 Via Casino Albini 480
 Tel. 0541/956034-957884
 Fax 0541/956341
 47842 S. GIOVANNI IN M. (RN)
 e-mail: mtma@mtmarchetti.com
 http://www.mtmarchetti.com

SMG190-3-20

Subject to change without notice.