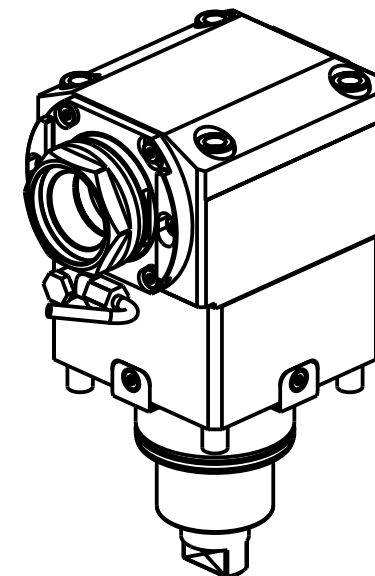
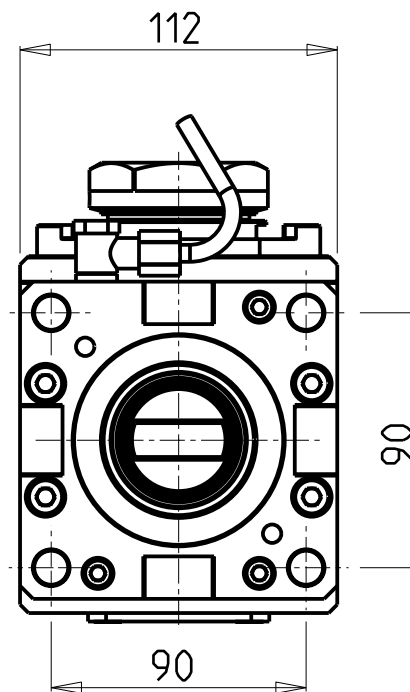
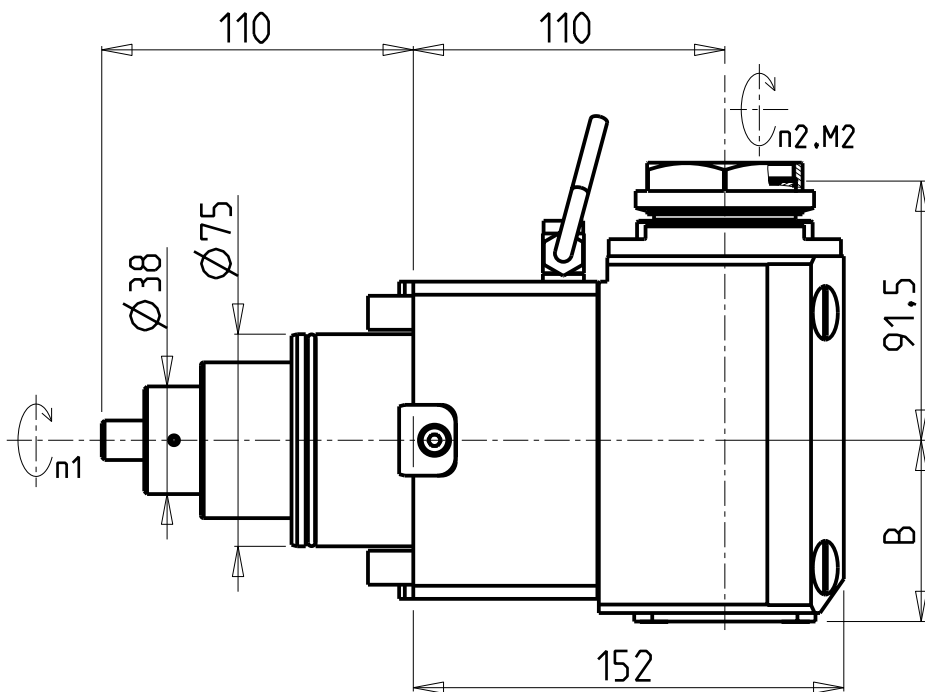


CUSCINETTI MAGGIORATI PER LAVORAZIONI PESANTI

Reinforced bearings for
heavy machining

Vergroesserte Lager fuer
schwerere Bearbeitungen



PER PORTAUTENSILI MODULARI MTSK-50 VEDI PAG. TBL300-1-50
FOR MTSK-50 QUICK CHANGE TOOLHOLDERS CLAMPINGS SEE PAGE TBL300-1-50
FUER MTSK-50 MODULARE WERKZEUGAUFNAHMEN SIEHE SEITE TBL300-1-50

Cod. MT	Mandrino Spindle Spindel	I (n1:n2)	RPM max n2	Coppia Max Max Torque Max Drehmoment	Reversibile 180° 180° Reversible 180° umsetzbar	Lubrificazione int. Coolant through Innenkuehlung	Lubr.esterna Ext. coolant Aussenkuehlung	Lav. secco Dry-run Trocken Bearb.	B	CHIAVI NON INCLUSE Keys not included Schlüssel nicht einbegriffen	
				M2 (Nm)		Pmax (bar)				CHUB55	OKU0430007 •
DW 02160150	MTSK-50	1:1	6000	140	X	-	X	X	64	CHUB55	OKU0430007 •
DW 02160250	MTSK-50	1:1	6000	140	X	100 (diag. 2)	X	X	76.5	CHUB55	OKU0430007 •

- Chiave inclusa
- Key included
- Schlüssel inbegriffen

SMEC (SAMSUNG)

MOD: SL45 MC - PL45 MC/LY - SLV800M - PL800VM - SL4500M/Y - SL5500M

MODULO MOTORIZZATO ASSIALE MAGGIORATO MTSK H=110mm

Axial MTSK reinforced driven tool H=110mm

Axial MTSK angetriebenes Werkzeug vergroessert H=110mm

Subject to change without notice.

M.T. srl

Via Casino Albini 480
Tel. 0541/956034-957884
Fax 0541/956341
47842 S. GIOVANNI IN M. (RN)
e-mail: mtma@mtmarchetti.com
http://www.mtmarchetti.com



SMG170-2-30-K

09/2025