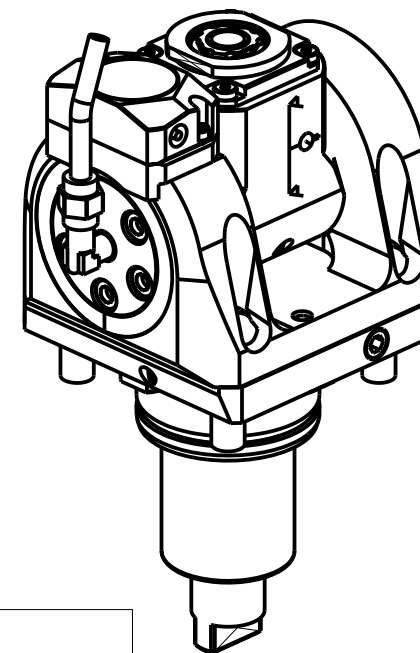


### ATTENZIONE - ATTENTION - ACHTUNG

- Su macchine PUMA 280. PUMA TT1500-TT1800-TT2100 serie non arriva in centro mandrino.
- On machines PUMA 280. PUMA TT1500-TT1800-TT2100 series tool does not get to the centre of the spindle axis.
- Auf Maschinen PUMA 280. PUMA TT1500-TT1800-TT2100 serie erreicht das Werkzeug nicht die Mitte der Werkzeug-Achse.



| Cod. MT     | Mandrino Spindle Spindel | I (n1:n2) | RPM max n2 | Coppia Max Max Torque Max Drehmoment | Reversibile 180° 180° Reversible 180° umsetzbar | Lubrificazione int. Coolant through Innenkuehlung | Lubr.esterna Ext. coolant Aussenkuehlung | Lav. secco Dry-run Trocken Bearb. | CHIAVI INCLUSE Keys included Schluessel inbegriffen |        |            |         |
|-------------|--------------------------|-----------|------------|--------------------------------------|---|---|--|-----------------------------------|---|--------|------------|---------|
|             |                          |           |            | M2 (Nm)                              |   | Pmax (bar)  |  |                                   | CHUB19_SP3  | CHUB32 | CHTAER16ZC | CHESL07 |
| DW 00665316 | ERA16                    | 1:2       | 12000      | 8                                    | X   | -   | X  | X                                 | CHUB19_SP3  | CHUB32 | CHTAER16ZC | CHESL07 |
| DW 00665416 | ERA16                    | 1:2       | 12000      | 8                                    | X   | 70  | X  | -                                 | CHUB19_SP3  | CHUB32 | CHTAER16ZC | CHESL07 |

SMART

MOD: NL1500/2000 M/BM/SY/BSY

MODULO MOTORIZZATO ORIENTABILE +/-90° MOLTIPLICATO I=1:2 CON NONIO DIGITALE H=47.5mm

+/-90° adjustable angle driven tool geared-up I=1:2 with digital display H=47.5mm

Angetriebenes Werkzeug schwenkbar +/-90° uebersetzt I=1:2 mit digital display H=47.5mm

Subject to change without notice.

**M.T. srl**

Via Casino Albini 480  
Tel. 0541/956034-957884  
Fax 0541/956341  
47842 S. GIOVANNI IN M. (RN)  
e-mail: mtma@mtmarchetti.com  
http://www.mtmarchetti.com



SMA336-1-01