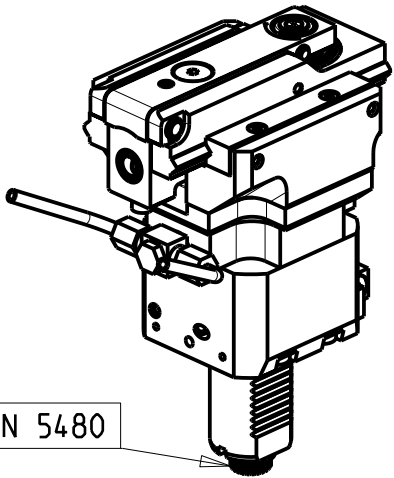
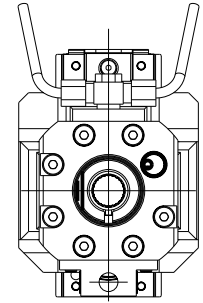
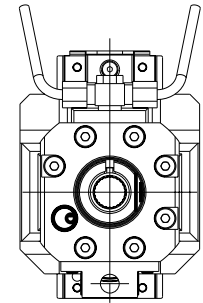
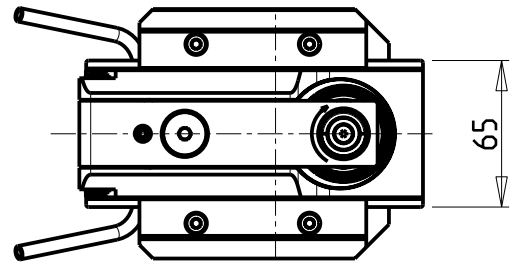
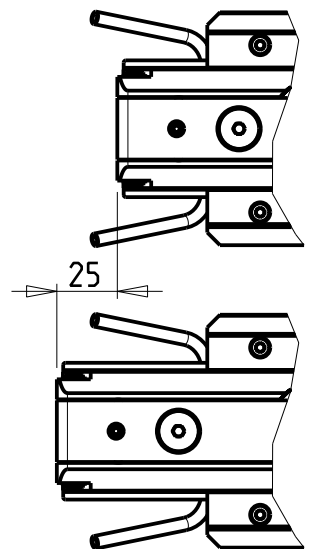


versione dx
right version
version rechts

versione sx
left version
version links



DIN 5480



DOTAZIONI - SUPPLIED WITH - AUSSTATTUNG

N*1 Boccola di riduz. Ø16-Ø12 e N*1 Boccola di riduz. Ø16-Ø10
 N*1 Reduction bush Ø16-Ø12 and N*1 Reduction bush Ø16-Ø10
 N*1 Reduzierbuchsen Ø16-Ø12 und N*1 Reduzierbuchsen Ø16-Ø10

PER UTENSILI STOZZATORI VEDI PAG. TBL400-1-00
 FOR DRIVEN SLOTTING TOOL CUTTING-TOOLS SEE PAGE TBL400-1-00
 FÜR NUTENSTOSS-WERKZEUG SCHNEIDWERKZEUGE SIEHE SEITE TBL400-1-00

| Cod. MT | | I | RPM max n1 | Lubr.esterna Ext. coolant Aussenkuehlung | Lav. secco Dry-run Trocken Bearb. |
|--|--|-----|------------------|--|---|
| versione dx right version version rechts | versione sx left version version links | | | | |
| SAU0720200 | SAU0721200 | 4:1 | 2400 | X | - |

SAUTER
VDI 40

MODULO MOTORIZZATO STOZZATORE CORSA 25mm H=120mm VDI40 DIN 5480
 Slotting driven tool 25mm stroke H=120mm VDI40 DIN 5480
 Keilnutenstossmaschine 25mm Hub H=120mm VDI40 DIN 5480

M.T. srl
 Via Casino Albini 480
 Tel. 0541/956034-957884
 Fax 0541/956341
 47842 S. GIOVANNI IN M. (RN)
 e-mail: mtma@mtmarchetti.com
 http://www.mtmarchetti.com



SAU360-3-01

Subject to change without notice.

09/2025