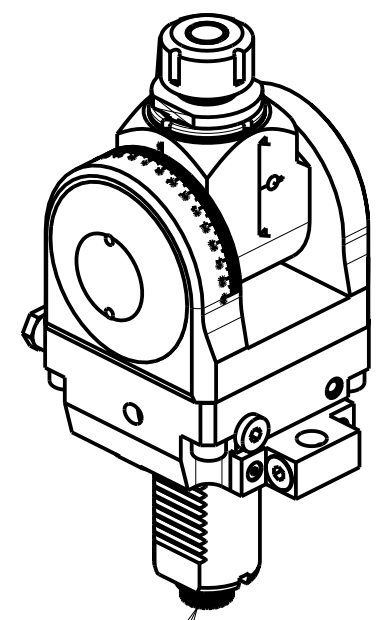
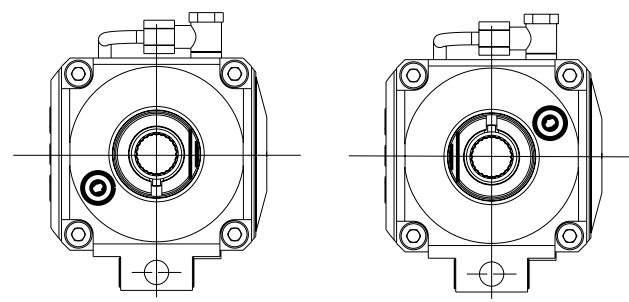


versione dx  
right version  
version rechts

versione sx  
left version  
version links



DIN 5480

Cod. MT		Mandrino Spindle Spindel	I (n1:n2)	RPM max n2	Coppia Max Max Torque Max Drehmoment M2 (Nm)	Lubr.esterna Ext. coolant Aussenkuehlung	Lav. secco Dry-run Trocken Bearb.	A	A1	D	L	CHIAVI INCLUDE Keys included Schluesssel einbegriffen	
versione dx right version version rechts	versione sx left version version links												
SAU0860120	SAU0861120	ER20	1:1	6000	40	X	X	85.16	-	-	-	CHUB36	CHSTER20
SAU0860125	SAU0861125	ER25	1:1	6000	40	X	X	86.16	-	-	-	CHUB36	CHSTER25
SAU0860516	SAU0861516	Ø16x17	1:1	6000	40	X	X	-	65	16	17	CHUB36	CH_VTCROCE_M08
SAU0860522	SAU0861522	Ø22x19	1:1	6000	40	X	X	-	66	22	19	CHUB36	CH_VTCROCE_M10
SAU0860519	SAU0861519	Ø3/4"x3/4"	1:1	6000	40	X	X	-	65	3/4"	3/4"	CHUB36	CH_VTCROCE_M08

SAUTER  
VDI 40  
MODULO MOTORIZZATO ORIENTABILE ±90° VDI40 DIN 5480  
±90° adjustable angle driven tool VDI40 DIN 5480  
Angetriebenes Werkzeug schwenkbar ±90° VDI40 DIN 5480  
Subject to change without notice.

**M.T. srl**  
Via Casino Albini 480  
Tel. 0541/956034-957884  
Fax 0541/956341  
47842 S. GIOVANNI IN M. (RN)  
e-mail: mtma@mtmarchetti.com  
http://www.mtmarchetti.com



SAU019-3-60