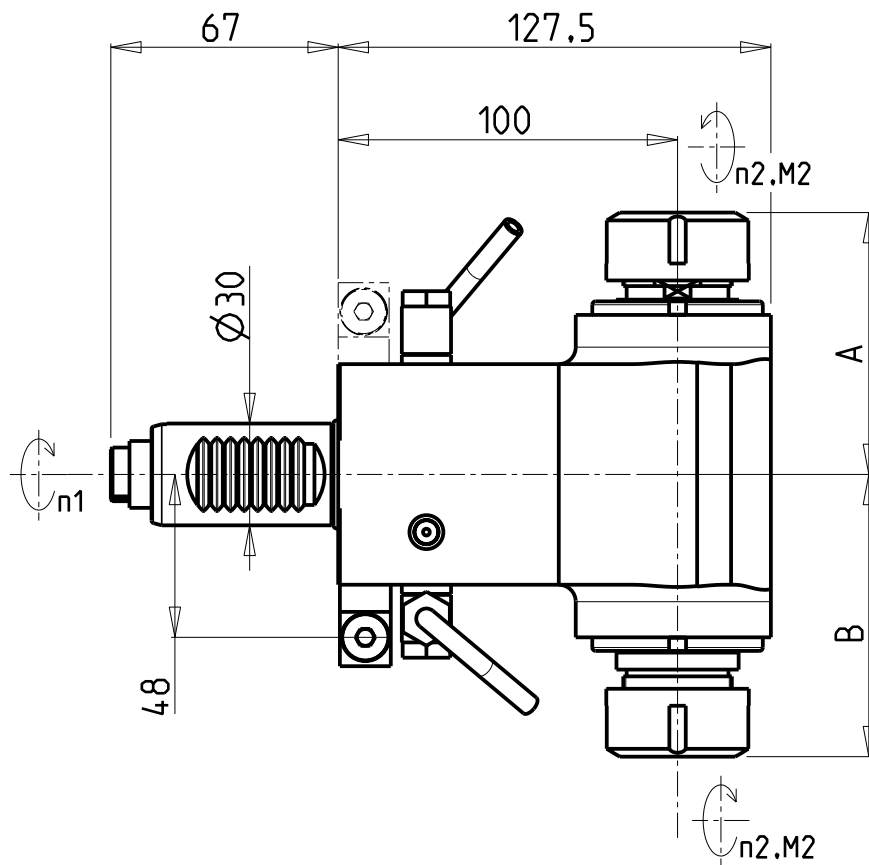


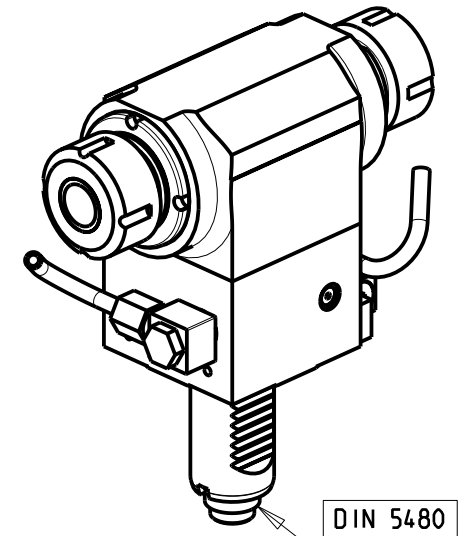
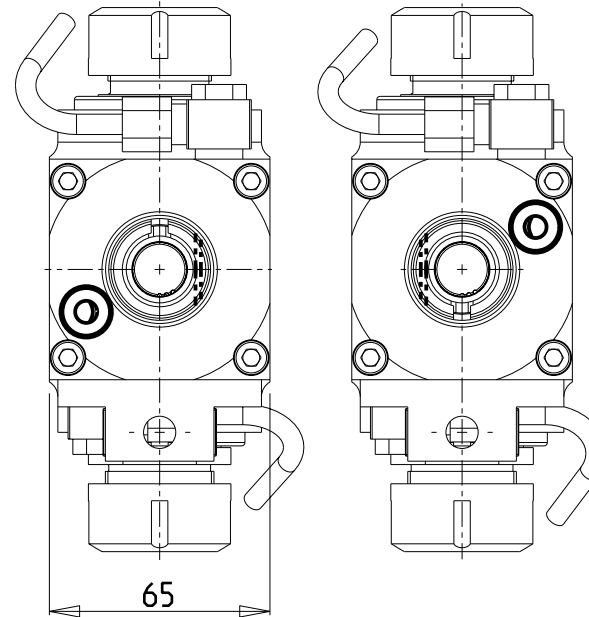
ATTENZIONE - ATTENTION - ACHTUNG

- Per lo smontaggio degli utensili utilizzare sempre la chiave di contrasto come indicato nel manuale d'uso.
- For disassembly of the tools use always the contrast key as mentioned in the user instructions.
- Fuer das Abmontieren der Werkzeuge immer den Gegenschlüssel benutzen wie in der Bedienungsanleitung erwäehnt.



versione dx
right version
version rechts

versione sx
left version
version links



DIN 5480

Cod. MT		Mandrino Spindle Spindel	l (n1:n2)	RPM max n2	Coppia Max Max Torque Max Drehmoment M2 (Nm)	Lubr.esterna Ext. coolant Aussenkuehlung	Lav. secco Dry-run Trocken Bearb.	A	B	CHIAVI NON INCLUDE Keys not included Schluesssel nicht einbegriffen		
versione dx right version version rechts	versione sx left version version links											
SAU0360220	SAU0361220	ER20+ER20	1:1	6000	32	X	X	81.2	82.2	-	CHUB38	CHSTER20
SAU0360225	SAU0361225	ER25+ER25	1:1	6000	32	X	X	77.2	83.2	CHUB29	CHUB36	CHSTER25
SAU0360320	SAU0361320	ERA20+ERA20	1:1	6000	32	X	X	68.5	66.5	CHUB22	CHUB36	CHTAER20ZC *

- Chiave inclusa
- Key included
- Schluesssel inbegriffen

SAUTER
VDI 30

MODULO MOTORIZZATO RADIALE BISPORGENTE VDI30 DIN 5480 H=100mm
Radial opposite face twin driven tool VDI30 DIN 5480 H=100mm
Radial angetriebenes Werkzeug halb vorspringend VDI30 DIN 5480 H=100mm

M.T. srl

Via Casino Albini 480
Tel. 0541/956034-957884
Fax 0541/956341
47842 S. GIOVANNI IN M. (RN)
e-mail: mtma@mtmarchetti.com
http://www.mtmarchetti.com



SAU019-2-10

Subject to change without notice.

09/2025