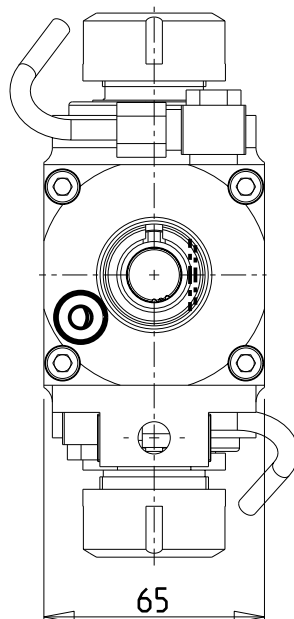
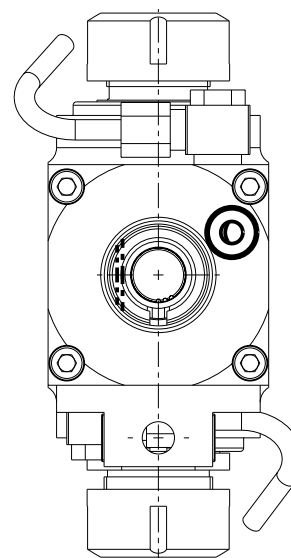


versione dx  
right version  
version rechts

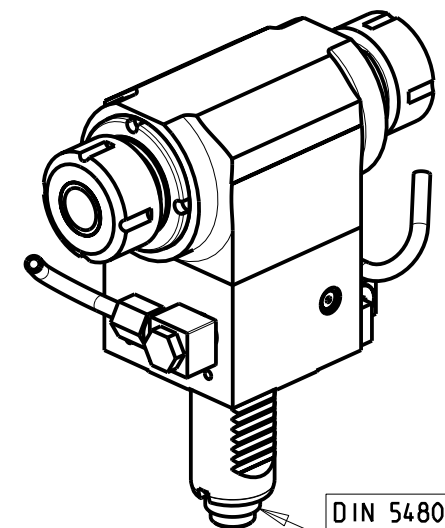


versione sx  
left version  
version links



**ATTENZIONE - ATTENTION - ACHTUNG**

- Per lo smontaggio degli utensili utilizzare sempre la chiave di contrasto come indicato nel manuale d'uso.
- For disassembly of the tools use always the contrast key as mentioned in the user instructions.
- Fuer das Abmontieren der Werkzeuge immer den Gegenschlüssel benutzen wie in der Bedienungsanleitung erwäehnt.



DIN 5480

Cod. MT		Mandrino Spindle Spindel	I (n1:n2)	RPM max n2	Coppia Max Max Torque Max Drehmoment M2 (Nm)	Lubr.esterna Ext. coolant Aussenkuehlung	Lav. secco Dry-run Trocken Bearb.	A	B	CHIAVI NON INCLUDE Keys not included Schluessel nicht einbegriffen		
versione dx right version version rechts	versione sx left version version links											
SAU0110220	SAU0111220	ER20+ER20	1:1	6000	32	X	X	81.2	82.2	-	CHUB38	CHSTER20
SAU0110225	SAU0111225	ER25+ER25	1:1	6000	32	X	X	77.2	83.2	CHUB29	CHUB36	CHSTER25
SAU0110320	SAU0111320	ERA20+ERA20	1:1	6000	32	X	X	68.5	66.5	CHUB22	CHUB36	CHTAER20ZC *

- Chiave inclusa
- Key included
- Schluessel inbegriffen

SAUTER  
VDI 30

MODULO MOTORIZZATO RADIALE BISPORGENTE VDI30 DIN 5480 H=85mm  
Radial opposite face twin driven tool VDI30 DIN 5480 H=85mm  
Radial angetriebenes Werkzeug halb vorspringend VDI30 DIN 5480 H=85mm

Subject to change without notice.

**M.T. srl**

Via Casino Albini 480  
Tel. 0541/956034-957884  
Fax 0541/956341  
47842 S. GIOVANNI IN M. (RN)  
e-mail: mtma@mtmarchetti.com  
http://www.mtmarchetti.com



SAU019-2-00

09/2025