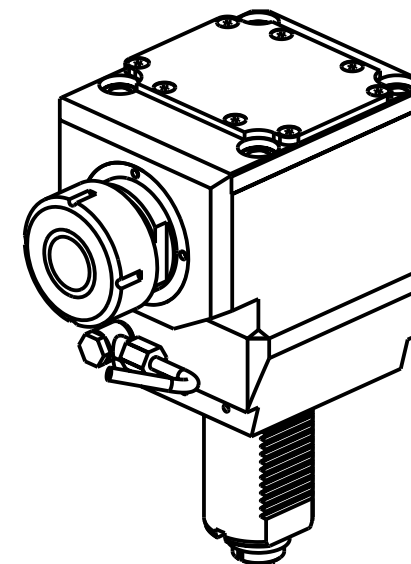
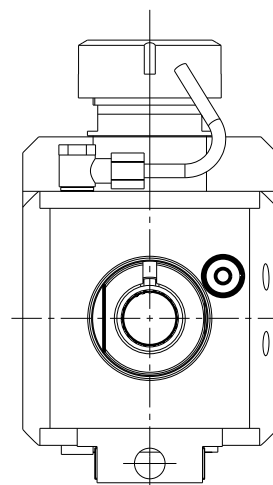
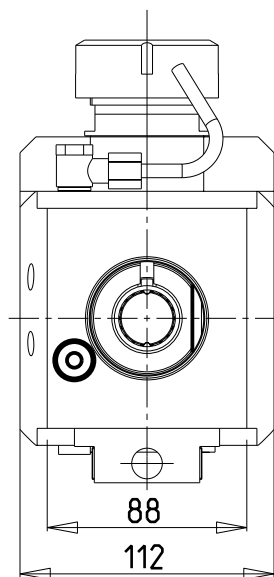


versione dx
right version
version rechts

versione sx
left version
version links



DIN 5480

- Chiave inclusa
- Key included
- Schlüssel inbegriffen

Cod. MT		Mandrino Spindelo Spindel	I (n1:n2)	RPM max n2	Coppia Max Max Torque Max Drehmoment M2 (Nm)	Lubrificazione int. Coolant through Innenkuehlung Pmax (bar)	Lubr.esterna Ext. coolant Aussenkuehlung	Lav. secco Dry-run Trocken Bearb.	A	A1	B	D	L	CHIAVI NON INCLUDE Keys not included Schlüssel nicht einbegriffen	
versione dx right version version rechts	versione sx left version version links													CHUB46	CHSTER40
SAU1130140	SAU1131140	ER40	2:1	3000	140	-	X	X	122.66	-	59	-	-	CHUB46	CHSTER40
SAU1130240	SAU1131240	ER40	2:1	3000	140	100 (diag. 2)	X	X	122.66	-	70	-	-	CHUB46	CHSTER40
SAU1133527	SAU1134527	Ø27x33	2:1	3000	140	-	X	X	-	92.5	59	27	33	CHUB46	CH_VTCROCE_M12 *

SAUTER
VDI 50

MODULO MOTORIZZATO RADIALE RIDOTTO I=2:1 VDI50 DIN 5480 H=100mm
Radial geared-down I=2:1 driven tool VDI50 DIN 5480 H=100mm
Radial angetriebenes Werkzeug untersetzt I=2:1 VDI50 DIN 5480 H=100mm

Subject to change without notice.

M.T. srl

Via Casino Albini 480
Tel. 0541/956034-957884
Fax 0541/956341
47842 S. GIOVANNI IN M. (RN)
e-mail: mtma@mtmarchetti.com
http://www.mtmarchetti.com



SAU018-4-12