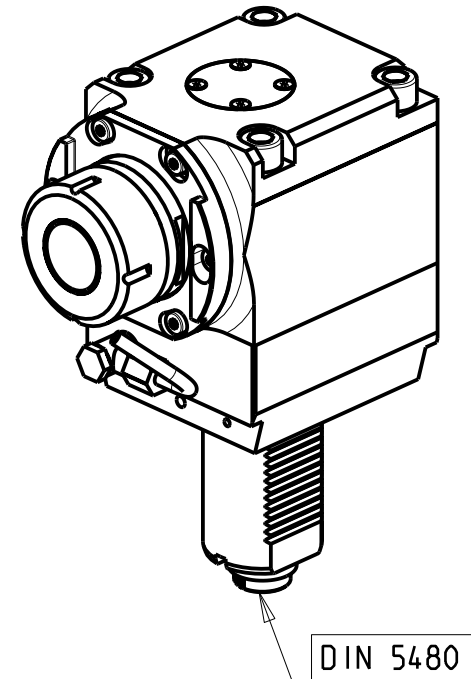
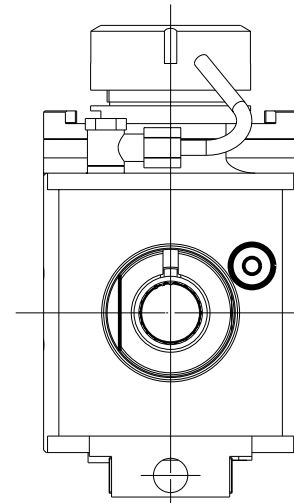
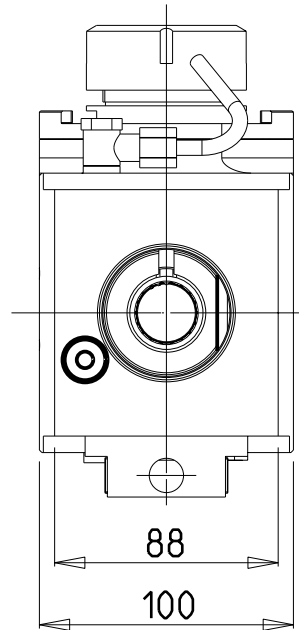


versione dx
right version
version rechts

versione sx
left version
version links



DIN 5480

| Cod. MT | | Mandrino Spindle Spindel | I (n1:n2) | RPM max n2 | Coppia Max Max Torque Max Drehmoment M2 (Nm) | Lubrificazione int. Coolant through Innenkuehlung Pmax (bar) | Lubr.esterna Ext. coolant Aussenkuehlung | Lav. secco Dry-run Trocken Bearb. | B | CHIAVI NON INCLUSE Keys not included Schlüssel nicht einbegriffen | |
|--|--|--------------------------------|--------------|------------------|---|---|--|---|------|---|--------------|
| versione dx right version version rechts | versione sx left version version links | | | | | | | | | CHSTER40 | OKU0430007 * |
| SAU0490140 | SAU0491140 | ER40 | 1:1 | 6000 | 100 | - | X | X | 58 | CHSTER40 | OKU0430007 * |
| SAU0490240 | SAU0491240 | ER40 | 1:1 | 6000 | 100 | 100 (diag. 2) | X | X | 66.5 | CHSTER40 | OKU0430007 * |

- Chiave inclusa
- Key included
- Schlüssel inbegriffen

SAUTER
VDI 50

MODULO MOTORIZZATO RADIALE VDI50 DIN 5480
Radial driven tool VDI50 DIN 5480
Radial angetriebenes Werkzeug VDI50 DIN 5480

M.T. srl

Via Casino Albini 480
Tel. 0541/956034-957884
Fax 0541/956341
47842 S. GIOVANNI IN M. (RN)
e-mail: mtma@mtmarchetti.com
http://www.mtmarchetti.com



SAU018-4-00

Subject to change without notice.

09/2025