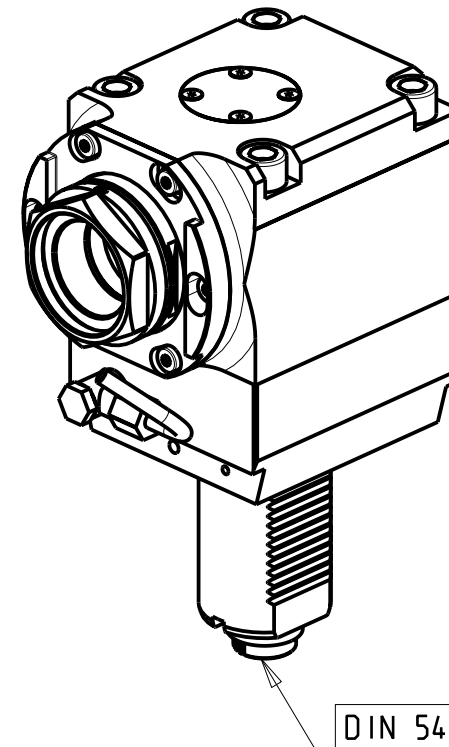
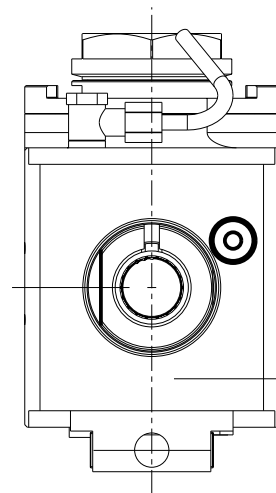
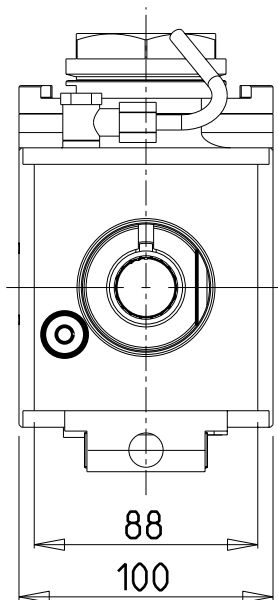


versione dx
right version
version rechts

versione sx
left version
version links



DIN 5480

PER PORTAUTENSILI MODULARI MTSK-50 VEDI PAG. TBL300-1-50
FOR MTSK-50 QUIK CHANGE TOOLHOLDERS CLAMPINGS SEE PAGE TBL300-1-50
FUER MTSK-50 MODULARE WERKZEUGAUFNAHMEN SIEHE SEITE TBL300-1-50

Cod. MT		Mandrino Spindle Spindel	I (n1:n2)	RPM max n2	Coppia Max Max Torque Max Drehmoment M2 (Nm)	Lubrificazione int. Coolant through Innenkuehlung Pmax (bar)	Lubr.esterna Ext. coolant Aussenkuehlung	Lav. secco Dry-run Trocken Bearb.	B	CHIAVI NON INCLUDE Keys not included Schlüssel nicht einbegriffen	
versione dx right version version rechts	versione sx left version version links										
SAU0470150	SAU0471150	MTSK-50	1:1	6000	100	-	X	X	58	C HUB55	OKU0430007 *
SAU0470250	SAU0471250	MTSK-50	1:1	6000	100	100 (diag. 2)	X	X	66.5	C HUB55	OKU0430007 *

- Chiave inclusa
- Key included
- Schlüssel inbegriffen

SAUTER
VDI 50

MODULO MOTORIZZATO RADIALE MTSK VDI50 DIN 5480
Radial MTSK driven tool VDI50 DIN 5480
Radial MTSK angetriebenes Werkzeug VDI50 DIN 5480

M.T. srl

Via Casino Albini 480
Tel. 0541/956034-957884
Fax 0541/956341
47842 S. GIOVANNI IN M. (RN)
e-mail: mtma@mtmarchetti.com
http://www.mtmarchetti.com



SAU018-4-00-K

Subject to change without notice.

09/2025