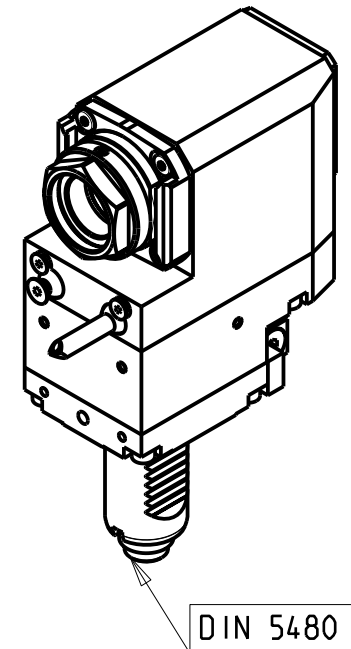
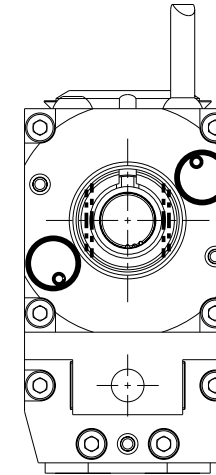
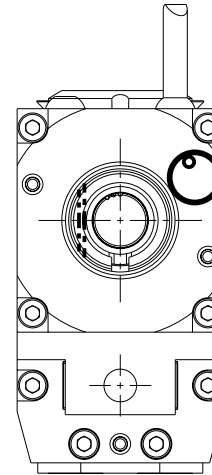
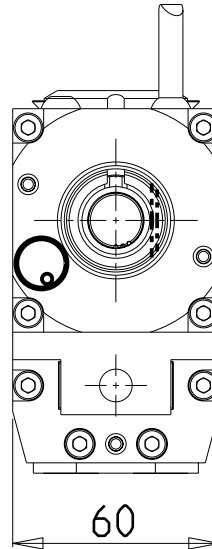


versione dx  
right version  
version rechts

versione sx  
left version  
version links

versione universale  
universal version  
universal version



DIN 5480

PER PORTAUTENSILI MODULARI MTSK-32 VEDI PAG. TBL300-1-32  
FOR MTSK-32 QUIK CHANGE TOOLHOLDERS CLAMPINGS SEE PAGE TBL300-1-32  
FUER MTSK-32 MODULARE WERKZEUGAUFNAHMEN SIEHE SEITE TBL300-1-32

Cod. MT			Mandrino Spindle Spindel	I (n1:n2)	RPM max n2	Coppia Max Max Torque Max Drehmoment M2 (Nm)	Lubrificazione int. Coolant through Innenkuehlung Pmax (bar)	Lubr.esterna Ext. coolant Aussenkuehlung	Lav. secco Dry-run Trocken Bearb.	B	CHIAVI NON INCLUDE Keys not included Schlüssel nicht einbegriffen	
versione dx right version version rechts	versione sx left version version links	versione universale universal version universal version									CHUB36	OKU0290009 *
SAU0660132	SAU0661132	SAU0662132	MTSK-32	1:1	6000	32	-	X	X	73.5	CHUB36	OKU0290009 *
SAU0660232	SAU0661232	SAU0662232	MTSK-32	1:1	6000	32	100 (diag. 2)	X	X	83.5	CHUB36	OKU0290009 *

- Chiave inclusa
- Key included
- Schlüssel einbegriffen

SAUTER  
VDI 30

MODULO MOTORIZZATO RADIALE ARRETRATO MTSK VDI30 DIN 5480 H=100mm  
Radial MTSK rear-set driven tool VDI30 DIN 5480 H=100mm  
Radial MTSK angetriebenes Werkzeug zurueckversetzt VDI30 DIN 5480 H=100mm

**M.T. srl**

Via Casino Albini 480  
Tel. 0541/956034-957884  
Fax 0541/956341  
47842 S. GIOVANNI IN M. (RN)  
e-mail: mtma@mtmarchetti.com  
http://www.mtmarchetti.com



SAU018-2-80-K

Subject to change without notice.

09/2025