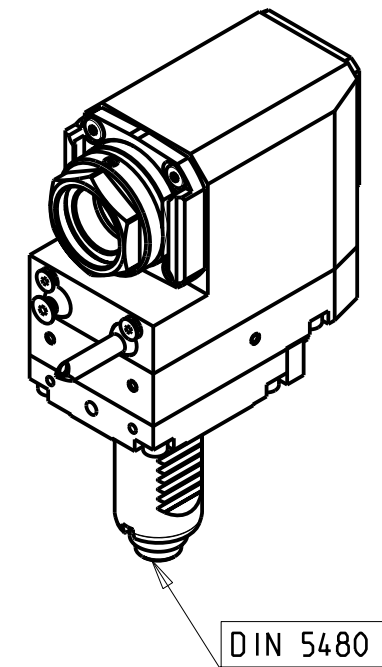
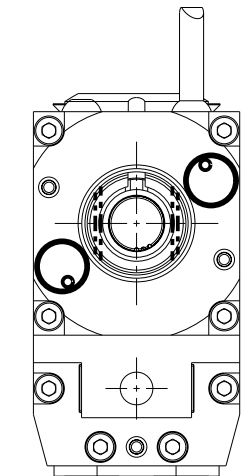
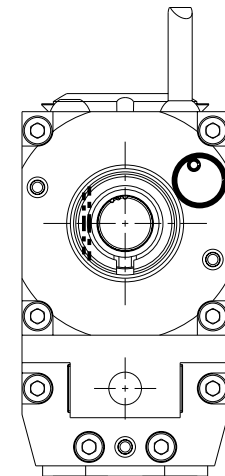
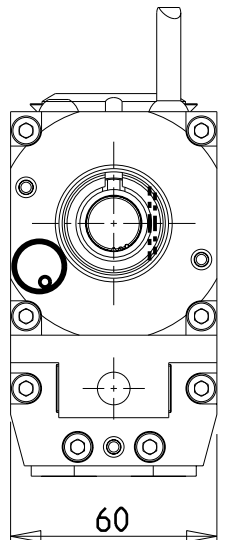


versione dx
right version
version rechts

versione sx
left version
version links

versione universale
universal version
universal version



DIN 5480

PER PORTAUTENSILI MODULARI MTSK-32 VEDI PAG. TBL300-1-32
FOR MTSK-32 QUIK CHANGE TOOLHOLDERS CLAMPINGS SEE PAGE TBL300-1-32
FUER MTSK-32 MODULARE WERKZEUGAUFNAHMEN SIEHE SEITE TBL300-1-32

Cod. MT			Mandrino Spindle Spindel	I (n1:n2)	RPM max n2	Coppia Max Max Torque Max Drehmoment M2 (Nm)	Lubrificazione int. Coolant through Innenkuehlung Pmax (bar)	Lubr.esterna Ext. coolant Aussenkuehlung	Lav. secco Dry-run Trocken Bearb.	B	CHIAVI NON INCLUSE Keys not included Schlüssel nicht einbegriffen	
versione dx right version version rechts	versione sx left version version links	versione universale universal version universal version										
SAU0650132	SAU0651132	SAU0652132	MTSK-32	1:1	6000	32	-	X	X	73.5	CHUB36	OKU0290009
SAU0650232	SAU0651232	SAU0652232	MTSK-32	1:1	6000	32	100 (diag. 2)	X	X	83.5	CHUB36	OKU0290009

- Chiave inclusa
- Key included
- Schlüssel inbegriffen

SAUTER
VDI 30
MODULO MOTORIZZATO RADIALE ARRETRATO MTSK VDI30 DIN 5480 H=85mm
Radial MTSK rear-set driven tool VDI30 DIN 5480 H=85mm
Radial MTSK angetriebenes Werkzeug zurueckversetzt VDI30 DIN 5480 H=85mm

M.T. srl
Via Casino Albini 480
Tel. 0541/956034-957884
Fax 0541/956341
47842 S. GIOVANNI IN M. (RN)
e-mail: mtma@mtmarchetti.com
http://www.mtmarchetti.com



SAU018-2-70-K

Subject to change without notice.