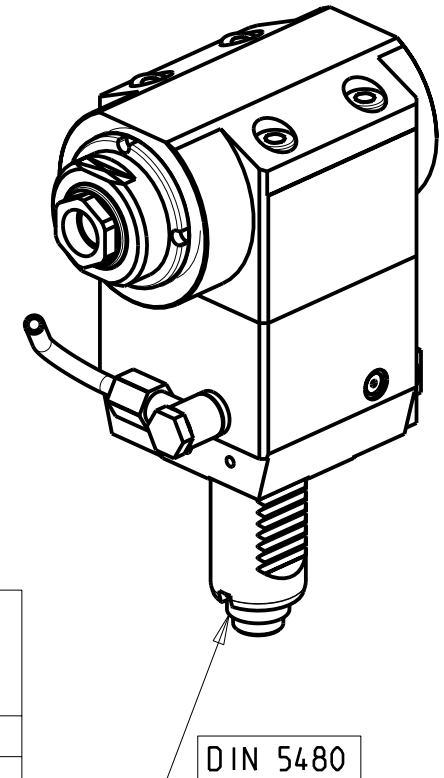
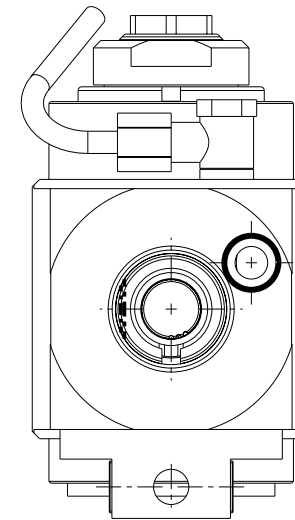
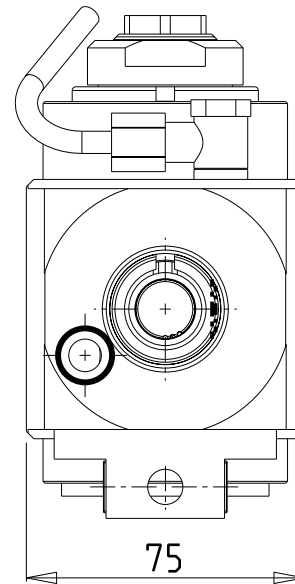


versione dx
right version
version rechts

versione sx
left version
version links



DIN 5480

Cod. MT		Mandrino Spindle Spindel	I (n1:n2)	RPM max n2	Coppia Max Max Torque Max Drehmoment M2 (Nm)	Lubrificazione int. Coolant through Innenkuehlung Pmax (bar)	Lubr.esterna Ext. coolant Aussenkuehlung	Lav. secco Dry-run Trocken Bearb.	A	B	CHIAVI NON INCLUSE Keys not included Schlüssel nicht einbegriffen	
versione dx right version version rechts	versione sx left version version links											
SAU0340311	SAU0341311	ER11	1:2	12000	20	-	X	X	83.6	50.5	CHUB36	CHUB17
SAU0340411	SAU0341411	ER11	1:2	12000	20	100 (diag. 2)	X	X	83.6	60.5	CHUB36	CHUB17
SAU0340320	SAU0341320	ER20	1:2	12000	20	-	X	X	92.2	50.5	CHUB38	CHSTER20
SAU0340420	SAU0341420	ER20	1:2	12000	20	100 (diag. 2)	X	X	92.2	60.5	CHUB38	CHSTER20
SAU0340120	SAU0341120	ERA20	1:2	12000	20	-	X	X	72.5	50.5	CHUB36	CHUB22
SAU0340220	SAU0341220	ERA20	1:2	12000	20	100 (diag. 2)	X	X	72.5	60.5	CHUB36	CHUB22

SAUTER
VDI 30

MODULO MOTORIZZATO RADIALE MOLTIPLICATO I = 1:2 VDI30 DIN5480
Radial geared-up I=1:2 driven tool VDI30 DIN 5480
Radial angetriebenes Werkzeug uebersetzt I=1:2 VDI30 DIN 5480

M.T. srl

Via Casino Albini 480
Tel. 0541/956034-957884
Fax 0541/956341
47842 S. GIOVANNI IN M. (RN)
e-mail: mtma@mtmarchetti.com
http://www.mtmarchetti.com



SAU018-2-13

Subject to change without notice.

09/2025