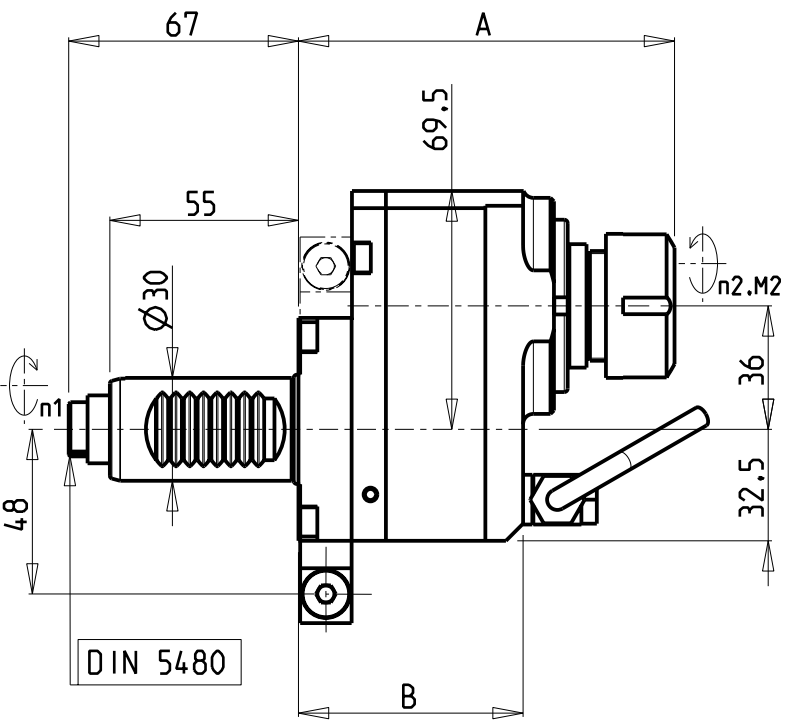


ATTENZIONE - ATTENTION - ACHTUNG

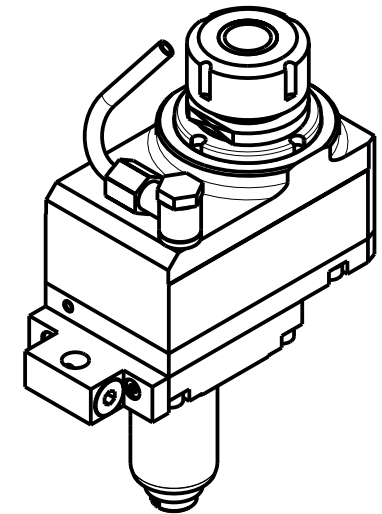
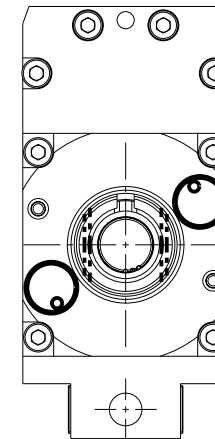
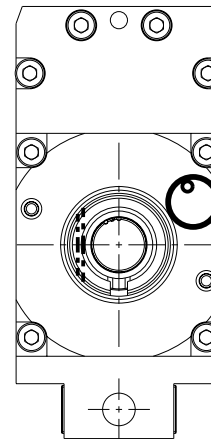
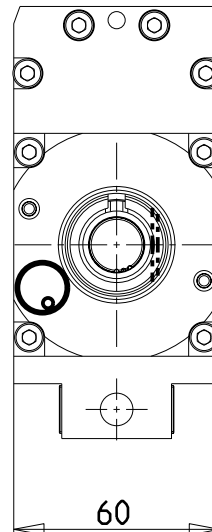
- Per lo smontaggio degli utensili utilizzare sempre la chiave di contrasto come indicato nel manuale d'uso.
- For disassembly of the tools use always the contrast key as mentioned in the user instructions.
- Fuer das Abmontieren der Werkzeuge immer den Gegenschlüssel benutzen wie in der Bedienungsanleitung erwaeht.



versione dx
right version
version rechts

versione sx
left version
version links

versione universale
universal version
universal version



Cod. MT			Mandrino Spindle Spindel	I (n1:n2)	RPM max n2	Coppia Max Max Torque Max Drehmoment M2 [Nm]	Lubrificazione int. Coolant through Innenkuehlung Pmax [bar]	Lubr.esterna Ext. coolant Aussenkuehlung	Lav. secco Dry-run Trocken Bearb.	A	B	CHIAVI NON INCLUDE Keys not included Schlüssel nicht einbegriffen	
versione dx right version version rechts	versione sx left version version links	versione universale universal version universal version										CHUB36	CHSTER25
SAU0100225	SAU0101225	SAU0102225	ER25	1:2	12000	20	-	X	X	109.7	65.5	CHUB36	CHSTER25
SAU0103225	SAU0104225	SAU0105225	ER25	1:2	12000	20	100 (diag. 2)	X	X	129.7	85.5	CHUB36	CHSTER25

SAUTER
VDI 30
MODULO MOTORIZZATO ASSIALE MOLTIPLICATO I=1:2 DISASSATO 36mm VDI30 DIN 5480
Axial geared-up I=1:2 driven tool re-directed by 36mm VDI30 DIN 5480
Axial angetriebenes Werkzeug uebersetzt I=1:2 achsversetzt um 36mm VDI30 DIN 5480

M.T. srl
Via Casino Albini 480
Tel. 0541/956034-957884
Fax 0541/956341
47842 S. GIOVANNI IN M. (RN)
e-mail: mtma@mtmarchetti.com
http://www.mtmarchetti.com



SAU017-2-60

Subject to change without notice.