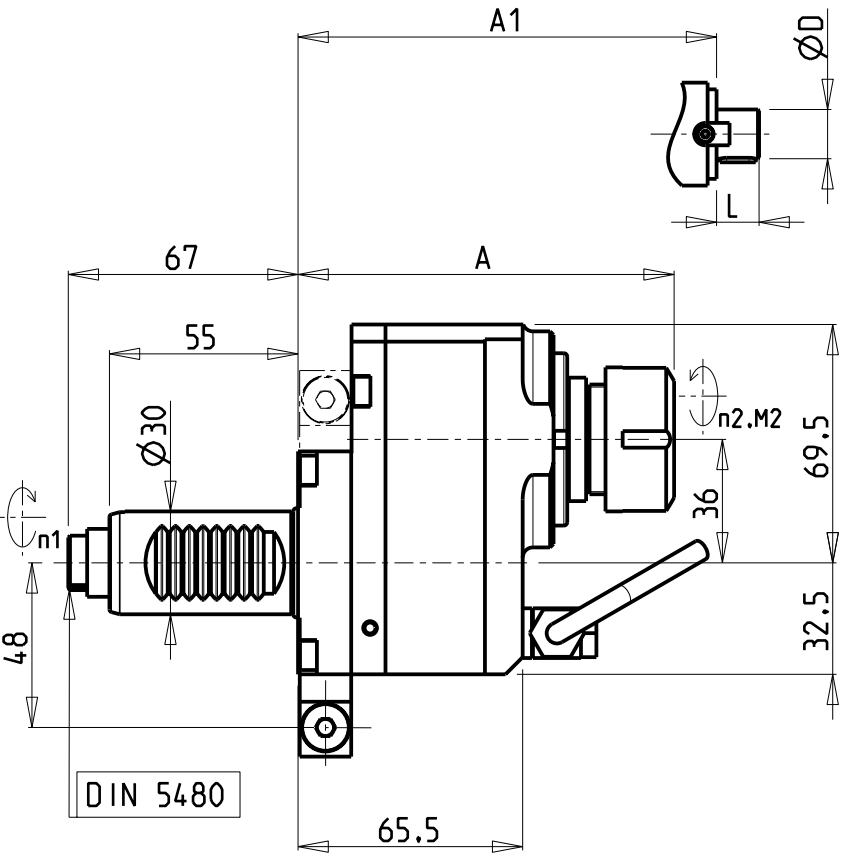


ATTENZIONE - ATTENTION - ACHTUNG

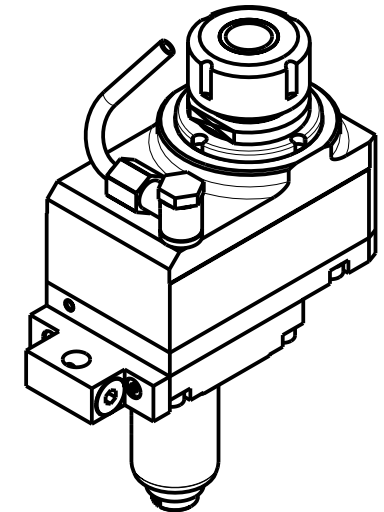
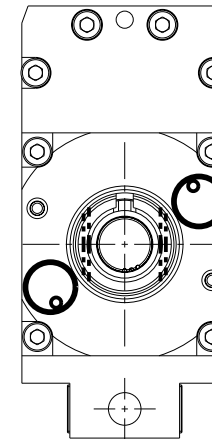
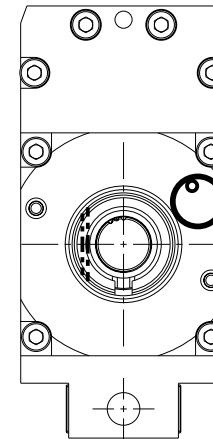
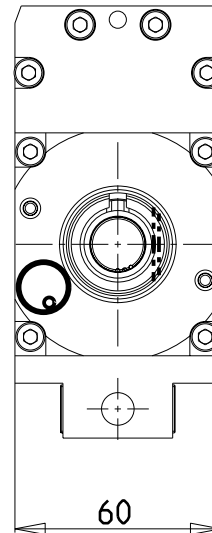
- Per lo smontaggio degli utensili utilizzare sempre la chiave di contrasto come indicato nel manuale d'uso.
- For disassembly of the tools use always the contrast key as mentioned in the user instructions.
- Fuer das Abmontieren der Werkzeuge immer den Gegenschlüssel benutzen wie in der Bedienungsanleitung erwaeht.



versione dx
right version
version rechts

versione sx
left version
version links

versione universale
universal version
universal version



Cod. MT			Mandrino Spindle Spindel	I (n1:n2)	RPM max n2	Coppia Max Max Torque Max Drehmoment M2 (Nm)	Lubr.esterna Ext. coolant Aussenkuehlung	Lav. secco Dry-run Trocken Bearb.	A	A1	ØD	L	CHIAVI NON INCLUDE Keys not included Schlüssel nicht einbegriffen	
versione dx right version version rechts	versione sx left version version links	versione universale universal version universal version											CHUB36	CHSTER25
SAU0100325	SAU0101325	SAU0102325	ER25	2:1	3000	45	X	X	109.66	-	-	-	CHUB36	CHSTER25
SAU0100722	SAU0101722	SAU0102722	Ø22x19	2:1	3000	45	X	X	-	90.5	22	19	CHUB36	CH_VTCROCE_M10 *

- Chiave inclusa
- Key included
- Schlüssel inbegriffen

SAUTER
VDI 30

MODULO MOTORIZZATO ASSIALE RIDOTTO I=2:1 DISASSATO 36mm VDI30 DIN 5480
Axial geared-down I=2:1 driven tool re-directed by 36mm VDI30 DIN 5480
Axial angetriebenes Werkzeug untersetzt I=2:1 achsversetzt um 36mm VDI30 DIN 5480

Subject to change without notice.

M.T. srl

Via Casino Albini 480
Tel. 0541/956034-957884
Fax 0541/956341
47842 S. GIOVANNI IN M. (RN)
e-mail: mtma@mtmarchetti.com
http://www.mtmarchetti.com



SAU017-2-30