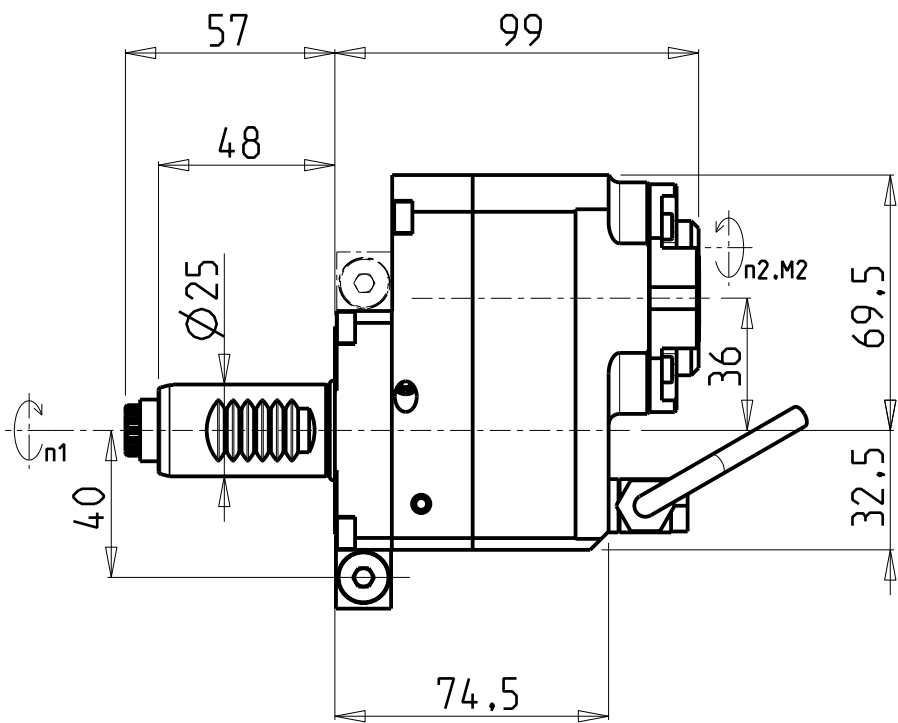
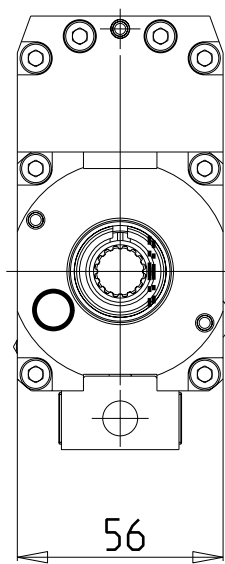


ATTENZIONE - ATTENTION - ACHTUNG

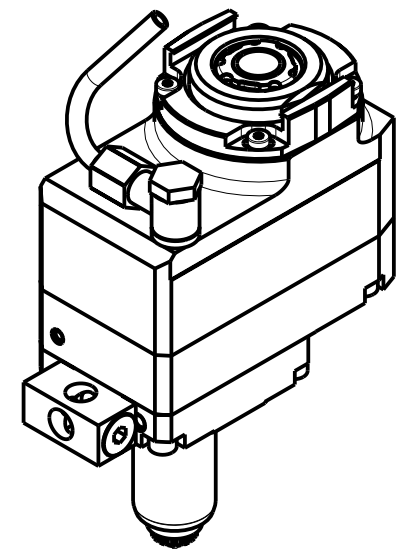
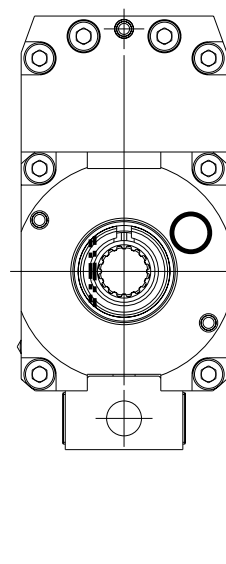
- Per lo smontaggio degli utensili utilizzare sempre la chiave di contrasto come indicato nel manuale d'uso.
- For disassembly of the tools use always the contrast key as mentioned in the user instructions.
- Fuer das Abmontieren der Werkzeuge immer den Gegenschlüssel benutzen wie in der Bedienungsanleitung erwäohnt.



versione dx  
right version  
version rechts



versione sx  
left version  
version links



DIN 5480

- Chiave inclusa
- Key included
- Schlüssel inbegriffen

Cod. MT		Mandrino Spindle Spindel	i (n1:n2)	RPM max n2	Coppia Max Max Torque Max Drehmoment M2 (Nm)	Lubrificazione int. Coolant through Innenkuehlung Pmax (bar)	Lubr.esterna Ext. coolant Aussenkuehlung	Lav. secco Dry-run Trocken Bearb.	CHIAVI NON INCLUDE Keys not included Schlüssel nicht einbegriffen		
versione dx right version version rechts	versione sx left version version links								C HUB22	C HTAER20ZC	OKU0290009
SAU0566120	SAU0567120	ERA20	1:2	12000	15	-	X	X	C HUB22	C HTAER20ZC	OKU0290009
SAU0566220	SAU0567220	ERA20	1:2	12000	15	70	X	-	C HUB22	C HTAER20ZC	OKU0290009

SAUTER  
VDI 25  
MODULO MOTORIZZATO ASSIALE MOLTIPLICATO I=1:2 DISASSATO 36mm VDI25 DIN 5480  
Axial geared-up I=1:2 driven tool re-directed by 36mm VDI25 DIN 5480  
Axial angetriebenes Werkzeug uebersetzt I=1:2 achsversetzt um 36mm VDI25 DIN 5480

**M.T. srl**  
Via Casino Albini 480  
Tel. 0541/956034-957884  
Fax 0541/956341  
47842 S. GIOVANNI IN M. (RN)  
e-mail: mtma@mtmarchetti.com  
http://www.mtmarchetti.com



SAU017-1-60

Subject to change without notice.