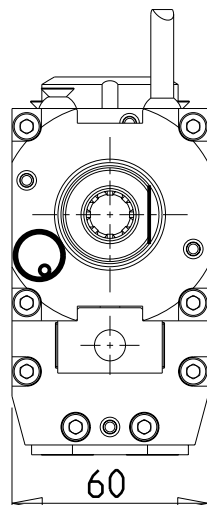
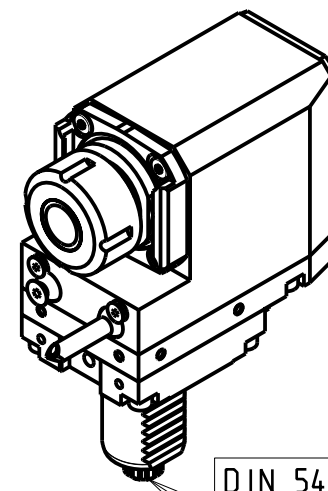
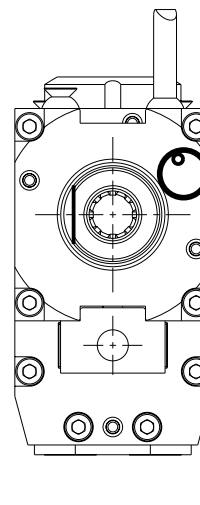


versione dx
right version
version rechts



versione sx
left version
version links



DIN 5482

- Chiave inclusa
- Key included
- Schlüssel inbegriffen

Cod. MT		Mandrino Spindle Spindel	I (n1:n2)	RPM max n2	Coppia Max Max Drehmoment M2 [Nm]	Lubrificazione int. Coolant through Innenkuehlung Pmax [bar]	Lubr.esterna Ext. coolant Aussenkuehlung	Lav. secco Dry-run Trocken Bearb.	A1	A2	B	CHIAVI NON INCLUDE Keys not included Schlüssel nicht einbegriffen		
versione dx right version version rechts	versione sx left version version links													
SAU0200120	SAU0201120	ER20	1:1	6000	32	-	X	X	41.16	-	73.5	-	CHSTER20	OKU0290009
SAU0200220	SAU0201220	ER20	1:1	6000	32	100 (diag. 2)	X	X	41.16	-	83.5	-	CHSTER20	OKU0290009
SAU0200320	SAU0201320	ERA20	1:1	6000	32	-	X	X	24.5	-	73.5	CHUB22	CHTAER20ZC	OKU0290009
SAU0200420	SAU0201420	ERA20	1:1	6000	32	100 (diag. 2)	X	X	24.5	-	83.5	CHUB22	CHTAER20ZC	OKU0290009
SAU0200125	SAU0201125	ER25	1:1	6000	32	-	X	X	42.16	-	73.5	-	CHSTER25	OKU0290009
SAU0200225	SAU0201225	ER25	1:1	6000	32	100 (diag. 2)	X	X	42.16	-	83.5	-	CHSTER25	OKU0290009
SAU0200325	SAU0201325	ERA25	1:1	6000	32	-	X	X	28.5	-	73.5	CHUB27	CHTAER25ZC	OKU0290009
SAU0200425	SAU0201425	ERA25	1:1	6000	32	100 (diag. 2)	X	X	28.5	-	83.5	CHUB27	CHTAER25ZC	OKU0290009
SAU0200516	SAU0201516	WELDON16	1:1	6000	32	-	X	X	-	27.5	73.5	-	-	-

SAUTER
VDI 30

MODULO MOTORIZZATO RADIALE ARRETRATO VDI30 DIN 5482 H=75mm
Radial rear-set driven tool VDI30 DIN 5482 H=75mm
Radial angetriebenes Werkzeug zurueckversetzt VDI30 DIN 5482 H=75mm

Subject to change without notice.

M.T. srl

Via Casino Albini 480
Tel. 0541/956034-957884
Fax 0541/956341
47842 S. GIOVANNI IN M. (RN)
e-mail: mtma@mtmarchetti.com
http://www.mtmarchetti.com



SAU015-2-60