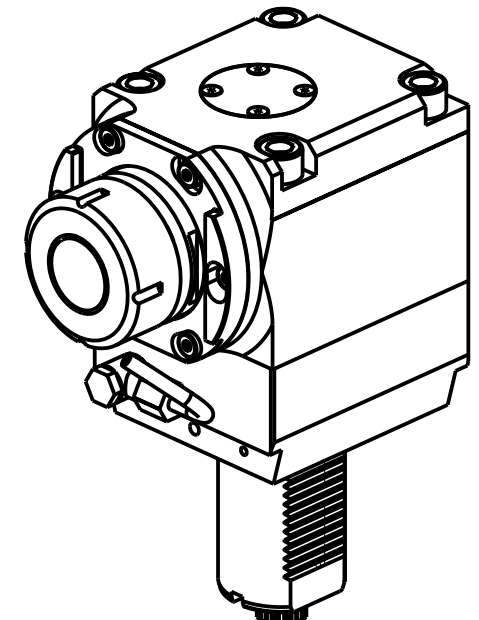
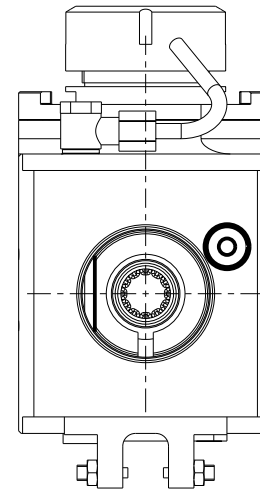
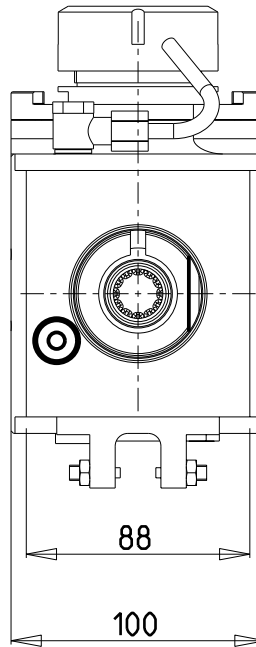


versione dx  
right version  
version rechts

versione sx  
left version  
version links



DIN 5482

Cod. MT		Mandrino Spindle Spindel	I (n1:n2)	RPM max n2	Coppia Max Max Torque Max Drehmoment M2 (Nm)	Lubrificazione int. Coolant through Innenkuehlung Pmax (bar)	Lubr.esterna Ext. coolant Aussenkuehlung	Lav. secco Dry-run Trocken Bearb.	B	CHIAVI NON INCLUDE Keys not included Schlüssel nicht einbegriffen	
versione dx right version version rechts	versione sx left version version links									CHSTER40	OKU0430007 ■
SAU1040140	SAU1041140	ER40	1:1	4000	100	-	X	X	58	CHSTER40	OKU0430007 ■
SAU1040240	SAU1041240	ER40	1:1	4000	100	100 (diag. 2)	X	X	66.5	CHSTER40	OKU0430007 ■

- Chiave inclusa
- Key included
- Schlüssel inbegriffen

SAUTER  
VDI 50

MODULO MOTORIZZATO RADIALE VDI50 DIN 5482  
Radial driven tool VDI50 DIN 5482  
Radial angetriebenes Werkzeug VDI50 DIN 5482

**M.T. srl**

Via Casino Albini 480  
Tel. 0541/956034-957884  
Fax 0541/956341  
47842 S. GIOVANNI IN M. (RN)  
e-mail: mtma@mtmarchetti.com  
http://www.mtmarchetti.com



SAU014-4-80

Subject to change without notice.

09/2025