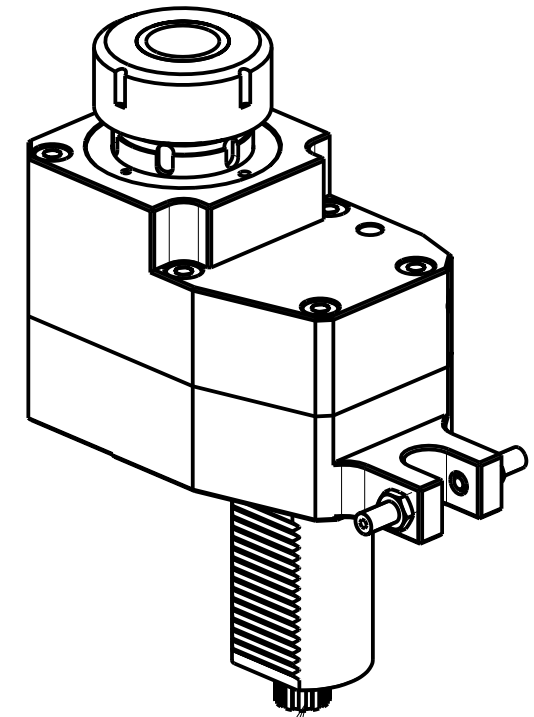
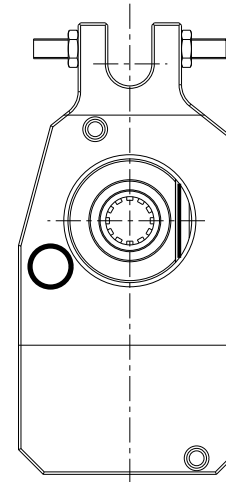
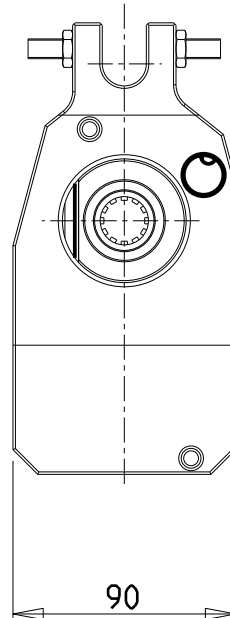


versione dx
right version
version rechts

versione sx
left version
version links



DIN 5482

Cod. MT

versione dx right version version rechts	versione sx left version version links	Mandrino Spindle Spindel	I (n1:n2)	RPM max n2	Coppia Max Max Torque Max Drehmoment M2 [Nm]	Lubr.esterna Ext. coolant Aussenkuehlung	Lav. secco Dry-run Trocken Bearb.	CHIAVI NON INCLUSE Keys not included Schluessel nicht einbegriffen	
245SAU_A40_50D00	245SAU_A40_50D20	ER40	1:1	4000	100	X	X	CHSE5255	CHSTER40

SAUTER
VDI 50

MODULO MOTORIZZATO ASSIALE DISASSATO 60mm VDI50 DIN 5482
Axial driven tool re-directed by 60mm VDI50 DIN 5482
Axial angetriebenes Werkzeug achsversetzt um 60mm VDI50 DIN 5482

M.T. srl

Via Casino Albini 480
Tel. 0541/956034-957884
Fax 0541/956341
47842 S. GIOVANNI IN M. (RN)
e-mail: mtma@mtmarchetti.com
http://www.mtmarchetti.com



SAU014-4-05

Subject to change without notice.

09/2025