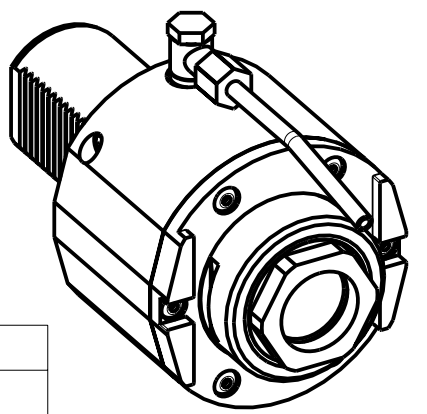


| Cod. MT | Mandrino Spindle Spindel | I (n1:n2) | RPM max n2 | Coppia Max Max Torque Max Drehmoment | Lubrificazione int. Coolant through Innenkuehlung | Lubr.esterna Ext. coolant Aussenkuehlung | Lav. secco Dry-run Trocken Bearb. | CHIAVI NON INCLUSE Keys not included Schlüssel nicht einbegriffen | |
|------------|--------------------------------|--------------|------------------|--|---|--|---|---|--------------|
| | | | | M2 [Nm] | Pmax (bar) | | | | |
| SAU0880140 | ERA40 | 1:1 | 4000 | 100 | - | X | X | CHUB42 | OKU0430007 * |
| SAU0880240 | ERA40 | 1:1 | 4000 | 100 | 30 | X | - | CHUB42 | OKU0430007 * |

- Chiave inclusa
- Key included
- Schlüssel inbegriffen



SAUER
VDI 50
MODULO MOTORIZZATO ASSIALE VDI50 DIN 5482
Axial driven tool VDI50 DIN 5482
Axial angetriebenes Werkzeug VDI50 DIN 5482

M.T. srl
Via Casino Albini 480
Tel. 0541/956034-957884
Fax 0541/956341
47842 S. GIOVANNI IN M. (RN)
e-mail: mtma@mtmarchetti.com
http://www.mtmarchetti.com



SAU014-4-00

Subject to change without notice.

09/2025