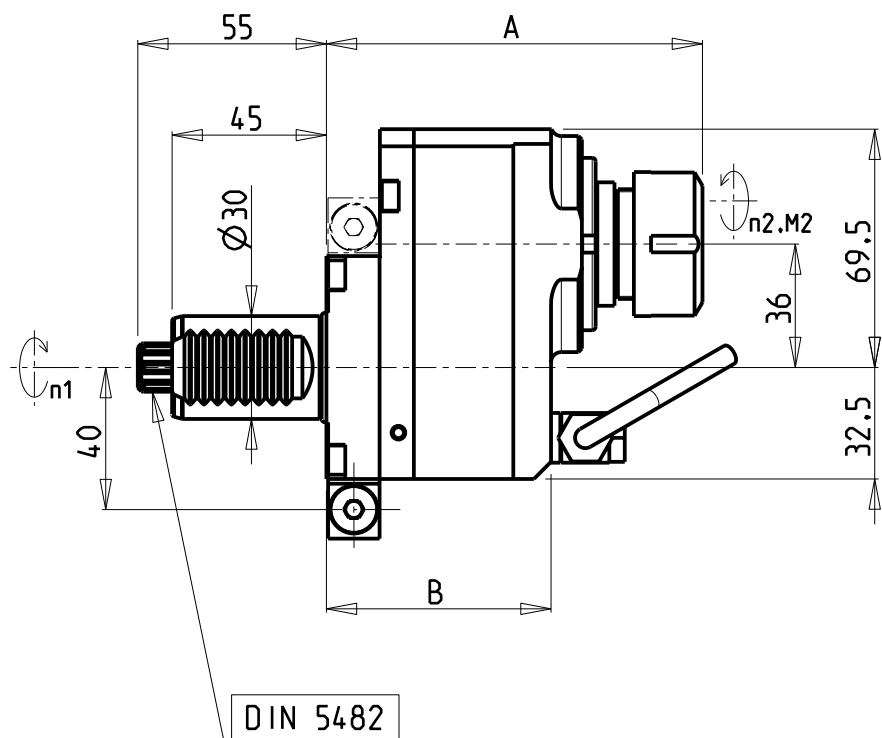
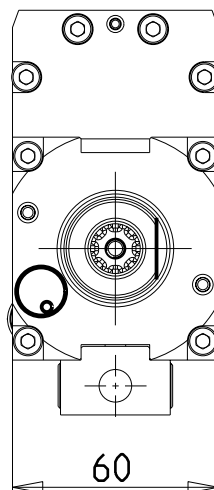


ATTENZIONE - ATTENTION - ACHTUNG

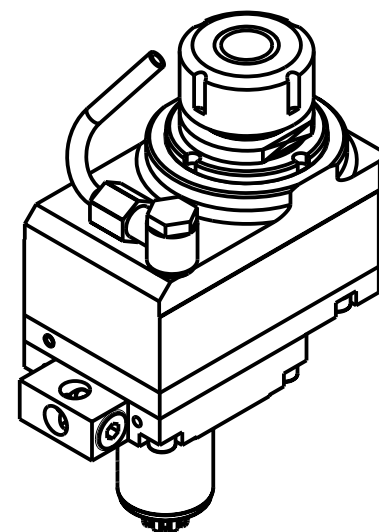
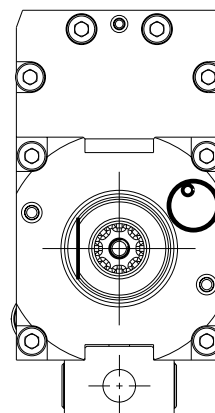
- Per lo smontaggio degli utensili utilizzare sempre la chiave di contrasto come indicato nel manuale d'uso.
- For disassembly of the tools use always the contrast key as mentioned in the user instructions.
- Fuer das Abmontieren der Werkzeuge immer den Gegenschlüssel benutzen wie in der Bedienungsanleitung erwaeht.



versione dx
right version
version rechts



versione sx
left version
version links



Cod. MT		Mandrino Spindle Spindel	I (n1:n2)	RPM max n2	Coppia Max Max Torque Max Drehmoment M2 (Nm)	Lubr.esterna Ext. coolant Aussenkuehlung	Lav. secco Dry-run Trocken Bearb.	A	B	CHIAVI NON INCLUSE Keys not included Schlüssel nicht einbegriffen	
versione dx right version version rechts	versione sx left version version links									CHUB36	CHSTER25
SAU1120225	SAU1121225	ER25	1:2	12000	20	X	X	109.7	65.5	CHUB36	CHSTER25

SAUTER
VDI 30

MODULO MOTORIZZATO ASSIALE MOLTIPLICATO I=1:2 DISASSATO 36mm VDI30 DIN 5482
Axial geared-up I=1:2 driven tool re-directed by 36mm VDI30 DIN 5482
Axial angetriebenes Werkzeug uebersetzt I=1:2 achsversetzt um 36mm VDI30 DIN 5482

Subject to change without notice.

M.T. srl

Via Casino Albini 480
Tel. 0541/956034-957884
Fax 0541/956341
47842 S. GIOVANNI IN M. (RN)
e-mail: mtma@mtmarchetti.com
<http://www.mtmarchetti.com>



SAU014-2-60