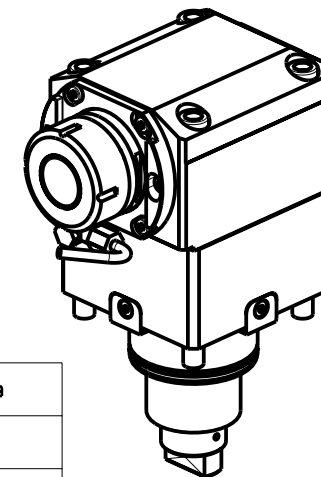


CUSCINETTI MAGGIORATI PER LAVORAZIONI PESANTI

Reinforced bearings for
heavy machining

Vergroesserte Lager fuer
schwerere Bearbeitungen



- Chiave inclusa
- Key included
- Schlüssel inbegriffen

| Cod. MT | Mandrino Spindle Spindel | I (n1:n2) | RPM max n2 | Coppia Max Max Torque Max Drehmoment M2 [Nm] | Reversibile 180° 180° Reversible 180° umsetzbar | Lubrificazione int. Coolant through Innenkuehlung Pmax [bar] | Lubrificazione est. Ext. coolant Aussenkuehlung | Lav. secco Dry-run Trocken Bearb. | A | A1 | A2 | B | D | L | CHIAVI NON INCLUDE Keys not included Schlüssel nicht einbegriffen | |
|-------------|--------------------------------|--------------|------------------|---|---|---|---|---|-------|-------|----|------|----|----|---|--------------|
| DW 01340140 | ER40 | 1:1 | 6000 | 140 | X | - | X | X | 109.7 | - | - | 64 | - | - | CHSTER40 | OKU0430007 * |
| DW 01340240 | ER40 | 1:1 | 6000 | 140 | X | 100 (diag. 2) | X | X | 109.7 | - | - | 76.5 | - | - | CHSTER40 | OKU0430007 * |
| DW 01340725 | WELDON 25 | 1:1 | 6000 | 140 | X | - | X | X | - | 109.5 | - | 64 | - | - | - | - |
| DW 01340825 | WELDON 25 | 1:1 | 6000 | 140 | X | 100 (diag. 2) | X | X | - | 109.5 | - | 76.5 | - | - | - | - |
| DW 01340522 | Ø22x19 | 1:1 | 6000 | 140 | X | - | X | X | - | - | 89 | 64 | 22 | 19 | CH_VTCROCE_M10 * | OKU0430007 * |

ROMI
MOD: GL 450M/Y/S
MODULO MOTORIZZATO ASSIALE MAGGIORATO H=110mm
Axial reinforced driven tool H=110mm
Axial angetriebenes Werkzeug vergroessert H=110mm

M.T. srl
Via Casino Albini 480
Tel. 0541/956034-957884
Fax 0541/956341
47842 S. GIOVANNI IN M. (RN)
e-mail: mtma@mtmarchetti.com
http://www.mtmarchetti.com



ROM170-4-30

Subject to change without notice.

09/2025