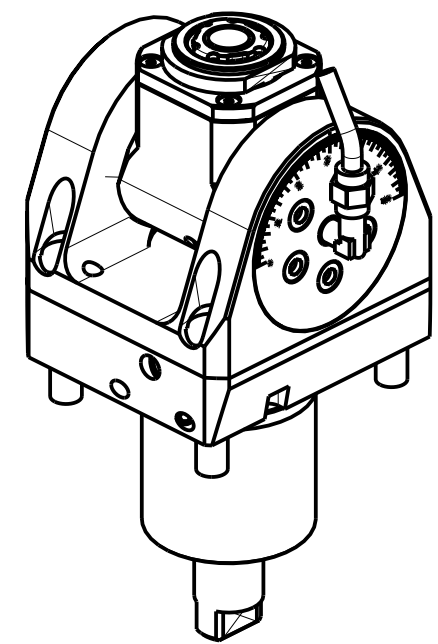


**ATTENZIONE - ATTENTION - ACHTUNG**

- Per lo smontaggio degli utensili utilizzare sempre la chiave di contrasto come indicato nel manuale d'uso.
- For disassembly of the tools use always the contrast key as mentioned in the user instructions.
- Fuer das Abmontieren der Werkzeuge immer den Gegenschlüssel benutzen wie in der Bedienungsanleitung erwäehnt.



Cod. MT	Mandrino Spindle Spindel	I (n1:n2)	RPM max n2	Coppia Max Max Torque Max Drehmoment M2 (Nm)	Lubrificazione int. Coolant through Innenkuehlung Pmax (bar)	Lubr.esterna Ext. coolant Aussenkuehlung	Lav. secco Dry-run Trocken Bearb.	CHIAVI INCLUDE Keys included Schluessel inbegriffen			
OKU0810120	ERA20	1:1	6000	30	-	X	X	CHUB36	CHUB22	CHESL07	CHTAER20ZC
OKU0810220	ERA20	1:1	6000	30	70	X	-	CHUB36	CHUB22	CHESL07	CHTAER20ZC

OKUMA  
MOD: LT2000EX 16ST.

MODULO MOTORIZZATO ORIENTABILE +/-90° H=60mm  
+/-90° adjustable angle driven tool H=60mm  
Angetriebenes Werkzeug schwenkbar +/-90° H=60mm

Subject to change without notice.

**M.T. srl**  
Via Casino Albini 480  
Tel. 0541/956034-957884  
Fax 0541/956341  
47842 S. GIOVANNI IN M. (RN)  
e-mail: mtma@mtmarchetti.com  
http://www.mtmarchetti.com



OKU335-6-00