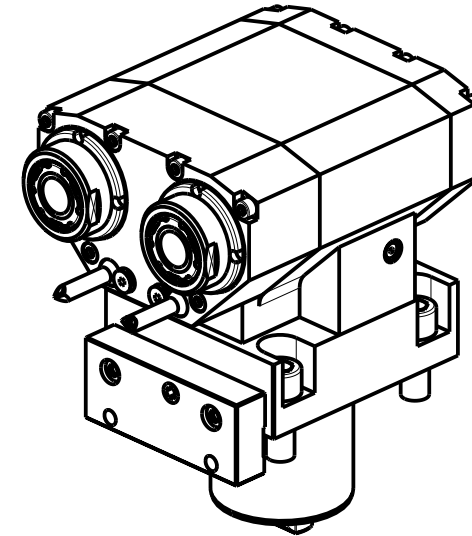


ATTENZIONE - ATTENTION - ACHTUNG

- Per lo smontaggio degli utensili utilizzare sempre la chiave di contrasto come indicato nel manuale d'uso.
- For disassembly of the tools use always the contrast key as mentioned in the user instructions.
- Fuer das Abmontieren der Werkzeuge immer den Gegenschlüssel benutzen wie in der Bedienungsanleitung erwaeht.



- Chiave inclusa
- Key included
- Schluessel inbegriffen

Cod. MT	Mandrino Spindle Spindel	I (n1:n2)	RPM max n2	Coppia Max Max Drehmoment	N°Utensili N° Tools N°Werkzeuge	Reversibile 180° 180° Reversible 180° umsetzbar	Lubrificazione int. Coolant through Innenkuehlung	Lubr.esterna Ext. coolant Aussenkuehlung	Lav. secco Dry-run Trocken Bearb.	CHIAVI NON INCLUSE Keys not included Schluessel nicht einbegriffen		
				M2 (Nm)			Pmax (bar)			CHUB38	CHUB27	CHTAER25ZC
OKU0460125	ERA25	1:1	6000	50	2	X	-	X	X	CHUB38	CHUB27	CHTAER25ZC
OKU0460225	ERA25	1:1	6000	50	2	X	70	X	-	CHUB38	CHUB27	CHTAER25ZC

OKUMA
 MOD: LB4000EX(I) - LB4000EX(II) - LB4000EX(III) - LU4000EX
 MODULO MOTORIZZATO ASSIALE 2 USCITE IN Y
 Axial single side twin head driven tool in Y
 Axial angetriebenes Werkzeug 2 Ausgaenge in Y

M.T. srl
 Via Casino Albini 480
 Tel. 0541/956034-957884
 Fax 0541/956341
 47842 S. GIOVANNI IN M. (RN)
 e-mail: mtma@mtmarchetti.com
 http://www.mtmarchetti.com



OKU268-5-00

Subject to change without notice.

09/2025