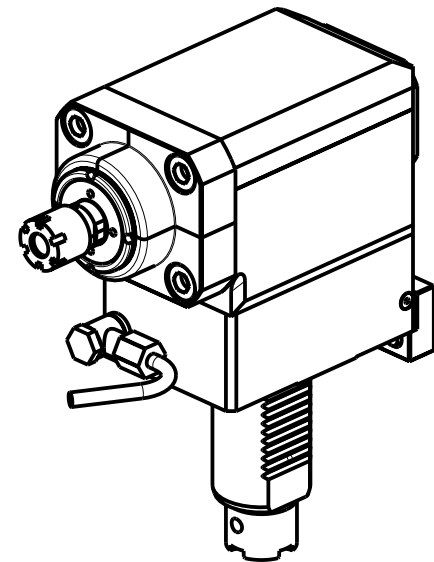
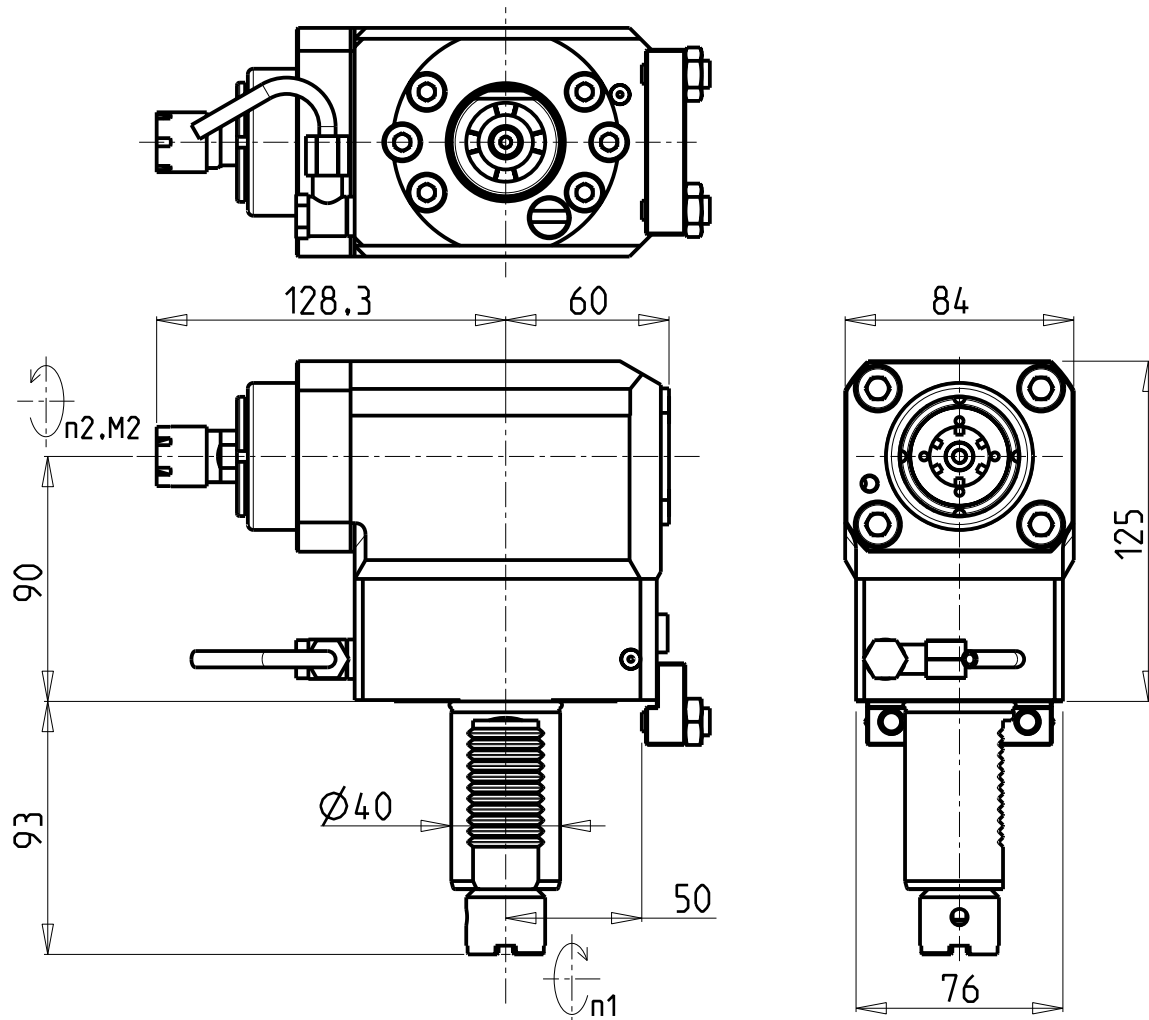
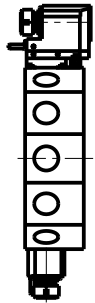


**ATTENZIONE - ATTENTION - ACHTUNG**

- Per lo smontaggio degli utensili utilizzare sempre la chiave di contrasto come indicato nel manuale d'uso.
- For disassembly of the tools use always the contrast key as mentioned in the user instructions.
- Fuer das Abmontieren der Werkzeuge immer den Gegenschlüssel benutzen wie in der Bedienungsanleitung erwaeht.



**TORRETTE RADIALI  
RADIAL TURRETS  
RADIAL REVOLVER**



Cod. MT	Mandrino Spindle Spindel	I (n1:n2)	RPM max n2	Coppia Max Max Torque Max Drehmoment M2 (Nm)	Lubr.esterna Ext. coolant Aussenkuehlung	Lav. secco Dry-run Trocken Bearb.	CHIAVI INCLUSE Keys included Schluessel einbegriffen	
OKU1280016	ER16	1:3	12000	10	X	-	CHUB17	CHMNER16

**OKUMA**

MOD: LB15/300 - LT15/300 - LR15 - LU15M - LU300M - MACTURN 250/350/550

MODULO MOTORIZZATO ASSIALE PER CONTROMANDRINO MOLTIPLICATO I=1:3 VDI40 H=90mm

Axial geared-up I=1:3 driven tool for subspindle VDI40 H=90mm

Axial angetriebenes Werkzeug fuer Gegenspindel uebersetzt I=1:3 VDI40 H=90mm

Subject to change without notice.

**M.T. srl**

Via Casino Albini 480  
Tel. 0541/956034-957884  
Fax 0541/956341  
47842 S. GIOVANNI IN M. (RN)  
e-mail: mtma@tmarchetti.com  
http://www.mtmarchetti.com



OKU209-2-10