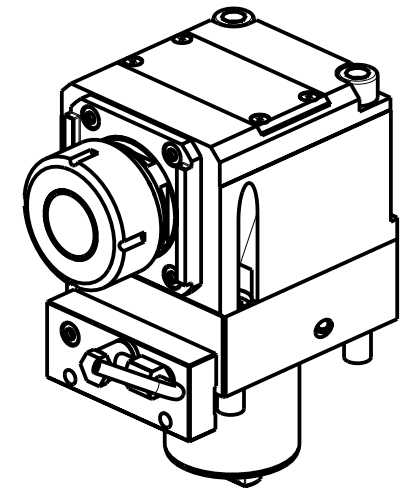


ATTENZIONE - ATTENTION - ACHTUNG

- Per lo smontaggio degli utensili utilizzare sempre la chiave di contrasto come indicato nel manuale d'uso.
- For disassembly of the tools use always the contrast key as mentioned in the user instructions.
- Fuer das Abmontieren der Werkzeuge immer den Gegenschlüssel benutzen wie in der Bedienungsanleitung erwäehnt.



Cod. MT	Mandrino Spindle Spindel	I (n1:n2)	RPM max n2	Coppia Max Max Torque Max Drehmoment M2 (Nm)	Reversibile 180° 180° Reversible 180° umsetzbar	Lubrificazione int. Coolant through Innenkuehlung Pmax (bar)	Lubr.esterna Ext. coolant Aussenkuehlung	Lav. secco Dry-run Trocken Bearb.	A	B	CHIAVI NON INCLUSE Keys not included Schluesssel nicht einbegriffen	
OKU0480132	ER32	2:1	3000	90	X	-	X	X	98.7	53	CHSTER32	OKU0650004
OKU0480232	ER32	2:1	3000	90	X	100 (diag. 2)	X	X	98.7	64	CHSTER32	OKU0650004
OKU0480140	ER40	2:1	3000	90	X	-	X	X	101.7	53	CHSTER40	OKU0650004
OKU0480240	ER40	2:1	3000	90	X	100 (diag. 2)	X	X	101.7	64	CHSTER40	OKU0650004

- Chiave inclusa
- Key included
- Schluesssel inbegriffen

OKUMA
MOD: LB4000EX(I) - LB4000EX(II) - LB4000EX(III) - LU4000EX

MODULO MOTORIZZATO ASSIALE RIDOTTO I=2:1
Axial geared-down I=2:1 driven tool
Axial angetriebenes Werkzeug untersetzt I=2:1

M.T. srl
Via Casino Albini 480
Tel. 0541/956034-957884
Fax 0541/956341
47842 S. GIOVANNI IN M. (RN)
e-mail: mtma@mtmarchetti.com
http://www.mtmarchetti.com



OKU190-5-10

Subject to change without notice.

09/2025