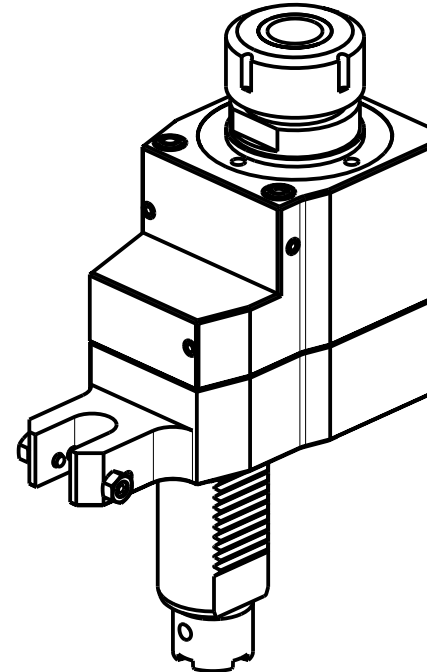
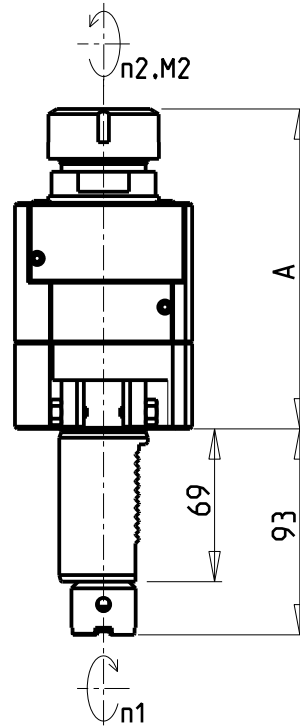
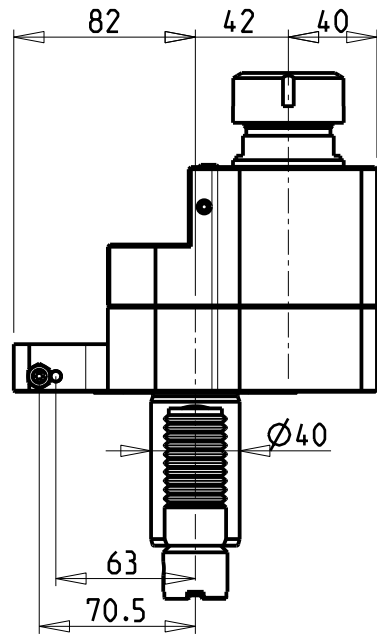
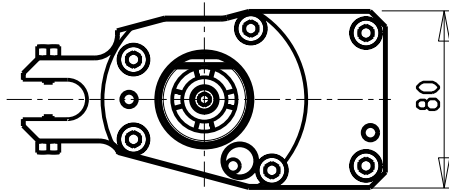
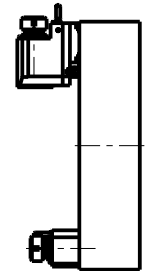


ATTENZIONE - ATTENTION - ACHTUNG

- Per lo smontaggio degli utensili utilizzare sempre la chiave di contrasto come indicato nel manuale d'uso.
- For disassembly of the tools use always the contrast key as mentioned in the user instructions.
- Fuer das Abmontieren der Werkzeuge immer den Gegenschlüssel benutzen wie in der Bedienungsanleitung erwaeht.

**TORRETTE ASSIALI
AXIAL TURRETS
AXIAL REVOLVER**



Cod. MT	Mandrino Spindle Spindel	I (n1:n2)	RPM max n2	Coppia Max Max Torque Max Drehmoment M2 (Nm)	Lubrificazione int. Coolant through Innenkuehlung Pmax (bar)	Lubr.esterna Ext. coolant Aussenkuehlung	Lav. secco Dry-run Trocken Bearb.	A	CHIAVI NON INCLUSE Keys not included Schluesssel nicht einbegriffen	
1250KU_A32_40B10	ER32	2:1	2000	100	-	X	X	144.46	CHUB41	CHSTER32
1250KU_A32_40B20	ER32	2:1	2000	100	30	-	-	164.96	CHUB38	CHSTER32

OKUMA

MOD: LB15/300 - LT15/300 - LR15 - LU15M - LU300M - GENOS L300M - GENOS L3000e M/MY (VDI40) - ES L10M

MODULO MOTORIZZATO ASSIALE RIDOTTO I=2:1 DISASSATO VDI40

Axial geared-down I=2:1 driven tool re-directed VDI40

Axial angetriebenes Werkzeug untersetzt I=2:1 achsversetzt VDI40

Subject to change without notice.

M.T. srl

Via Casino Albini 480
Tel. 0541/956034-957884
Fax 0541/956341
47842 S. GIOVANNI IN M. (RN)
e-mail: mtma@mtmarchetti.com
http://www.mtmarchetti.com



OKU160-2-10