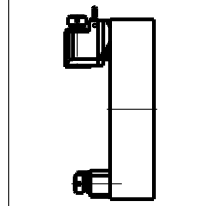
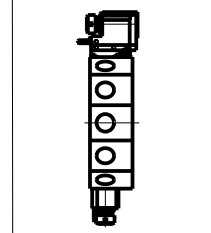


TORRETTE ASSIALI
AXIAL TURRETS
AXIAL REVOLVER

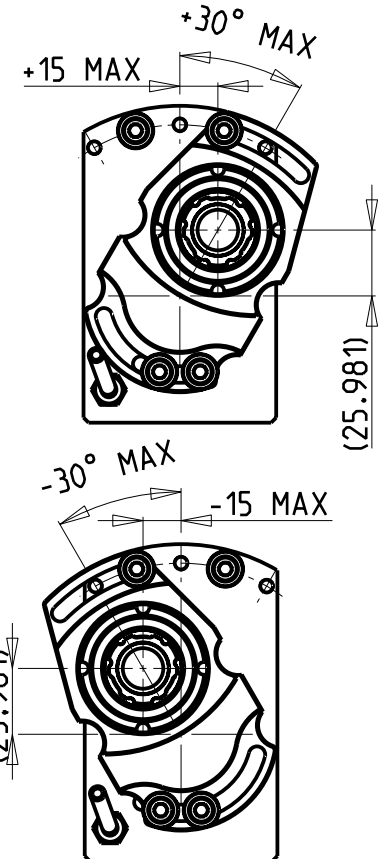
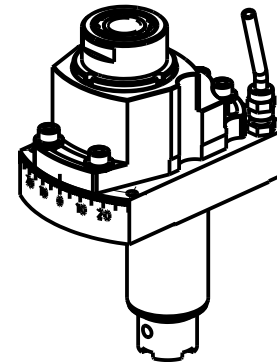
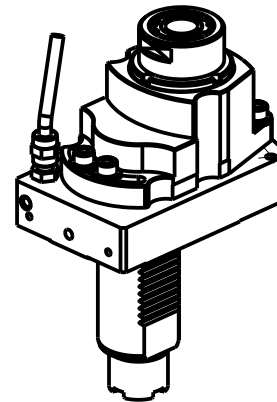


TORRETTE RADIALI
RADIAL TURRETS
RADIAL REVOLVER



ATTENZIONE - ATTENTION - ACHTUNG

- Per lo smontaggio degli utensili utilizzare sempre la chiave di contrasto come indicato nel manuale d'uso.
- For disassembly of the tools use always the contrast key as mentioned in the user instructions.
- Fuer das Abmontieren der Werkzeuge immer den Gegenschlüssel benutzen wie in der Bedienungsanleitung erwäehnt.



• Chiave inclusa

• Key included

• Schlüssel inbegriffen

CHIAVI NON INCLUSE
Keys not included
Schlüssel nicht einbegriffen

Cod. MT	Mandrino Spindel Spindel	I (n1:n2)	RPM max n2	Coppia Max Max Torque Max Drehmoment M2 (Nm)	Lubr.esterna Ext. coolant Aussenkuehlung	Lav. secco Dry-run Trocken Bearb.	CHUB36	CHUB27	CHTAER25ZC *
OKU1590325	ERA25	1:1	4000	40	X	X			

OKUMA
 MOD: LB15/300 - LT15/300 - LR15 - LU15M - LU300M - GENOS L300M - GENOS L3000e M/MY (VD140)
 MACTURN 250/350/550 - ES L10M

MODULO MOTORIZZATO ASSIALE DISASSATO 30mm ORIENTABILE ±30° VDI40
 Axial ±30° adjustable angle driven tool re-directed by 30mm VDI40
 Axial angetriebenes Werkzeug schwenkbar ±30° achsversetzt um 30mm VDI40

M.T. srl
 Via Casino Albini 480
 Tel. 0541/956034-957884
 Fax 0541/956341
 47842 S. GIOVANNI IN M. (RN)
 e-mail: mtma@mtmarchetti.com
 http://www.mtmarchetti.com



OKU135-2-00

Subject to change without notice.

09/2025