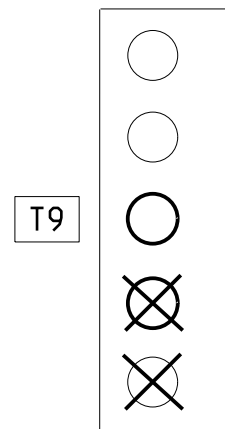
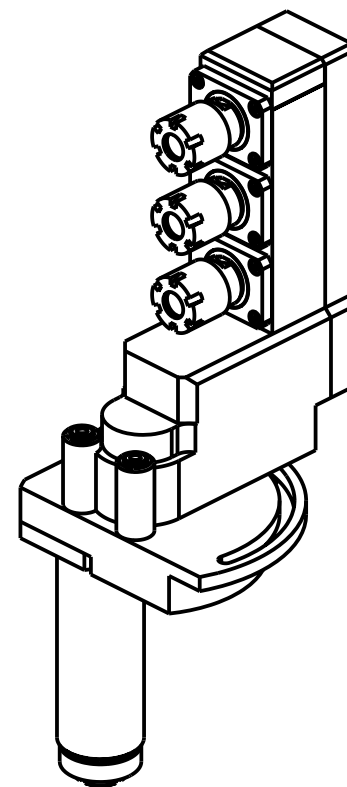


**ATTENZIONE - ATTENTION - ACHTUNG**

- Per lo smontaggio degli utensili utilizzare sempre la chiave di contrasto come indicato nel manuale d'uso.
- For disassembly of the tools use always the contrast key as mentioned in the user instructions.
- Fuer das Abmontieren der Werkzeuge immer den Gegenschlüssel benutzen wie in der Bedienungsanleitung erwaeht.



| Cod. MT    | Mandrino Spindle Spindel | I (n1:n2) | RPM max n2 | Lubr.esterna Ext. coolant Aussenkuehlung | Lav. secco Dry-run Trocken Bearb. | CHIAVI NON INCLUSE<br>Keys not included<br>Schlüssel nicht einbegriffen |          |
|------------|--------------------------|-----------|------------|--|-----------------------------------|---|----------|
| NMR0150316 | ER16                     | 1:1       | 6000       | X  | X                                 | CHUB17  | CHMNER16 |

**NOMURA**  
**MOD: NN38KM**  
 MODULO MOTORIZZATO ASSIALE ORIENTABILE 0/90°  
 0/90° axial adjustable angle driven tool  
 Axial angetriebenes Werkzeug schwenkbar 0/90°

**M.T. srl**  
 Via Casino Albini 480  
 Tel. 0541/956034-957884  
 Fax 0541/956341  
 47842 S. GIOVANNI IN M. (RN)  
 e-mail: mtma@mtmarchetti.com  
 http://www.mtmarchetti.com



**NOM183-4-10**

Subject to change without notice.