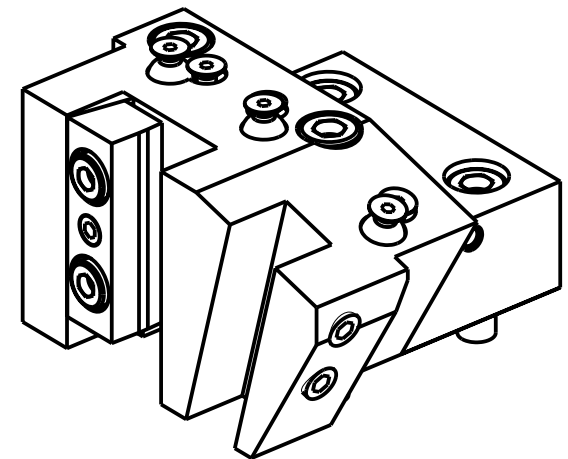


ATTENZIONE - ATTENTION - ACHTUNG

- Solo per mandrino principale
- Only for main spindle
- Nur für Hauptspindel



| Cod. MT | N°Utensili N°Tools N°Werkzeuge | Lubrificazione est. Ext. coolant Ausseukuehlung | Misure Dimensions Masse | B | H |
|------------|--------------------------------------|-------------------------------------------------------|-------------------------------|------|------|
| NKM2521905 | 2 | X | Inch | 3/4" | 3/4" |

NAKAMURA-TOME
 MOD: AS200 12ST. - AS200L 12ST. - SC200II 24ST.
 PORTAUTENSILE RADIALE MULTIPLO QD=3/4"
 Radial multiple static tool QD=3/4"
 Radial Mehrfach-Halter QD=3/4"

M.T. srl
 Via Casino Albini 480
 Tel. 0541/956034-957884
 Fax 0541/956341
 47842 S. GIOVANNI IN M. (RN)
 e-mail: mtma@mtmarchetti.com
 http://www.mtmarchetti.com



NKM440-2-60

Subject to change without notice.

03/2026