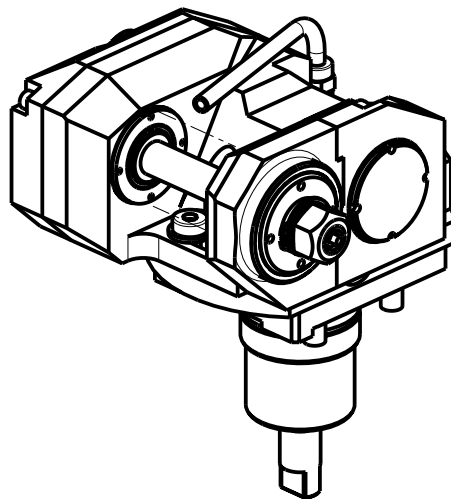
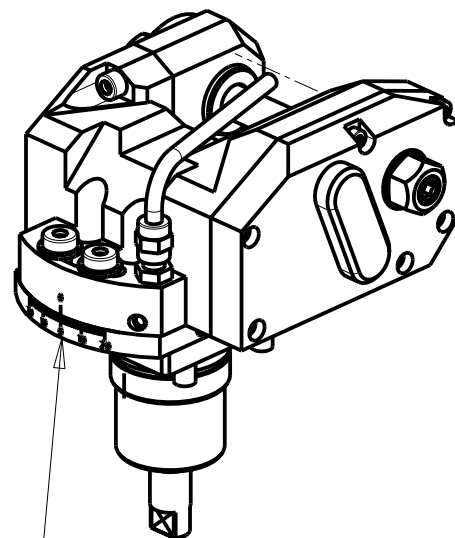


-LA FUNZIONE DI POLIGONATURA/DENTATURA DEVE ESSERE INSTALLATA SULLA MACCHINA  
 -POLYGON CUTTING/GEAR HOBBING FUNCTION MUST BE INSTALLED ON THE MACHINE  
 -DIE FUNKTION FÜR POLYGON-BZW. VERZÄHNUNGSFRÄSEN MUSS AUF DER MASCHINE FREIGESCHALTET WERDEN



ATTENZIONE - ATTENTION - ACHTUNG

- VERIFICARE LE MISURE DI INGOMBRO PER POSSIBILE INTERFERENZA
- Please check the overall sizes for possible interferences
- Bitte überprüfen sie das Ausmass um mögliche Interferenzen zu vermeiden



INCLINAZIONE  
 REGOLABILE  $\pm 20^\circ$

Cod. MT	I (n1:n2)	RPM max n2	Coppia Max Max Torque Max Drehmoment M2 (Nm)	Lubrificazione est. Ext. coolant Aussenkuehlung	Lav. secco Dry-run Trockenbearb.	D (mm)	CHIAVI INCLUDE Keys included Schlüssel inbegriffen				
NKM1071116	1:1	6000	30	X	X	16	CHUB19	CHESL06	CHESL05	-	-
NKM1071113	1:1	6000	30	X	X	13	CHUB19	CHESL06	CHESL05	-	-
NKM1071110	1:1	6000	30	X	X	10	CHUB19	CHESL06	CHESL05	-	CHUB17
NKM1071108	1:1	6000	30	X	X	8	CHUB19	CHESL06	CHESL05	CHESL04	CHUB13
NKM1071155	1:1	6000	30	X	X	1/2"	CHUB19	CHESL06	CHESL05	-	-
NKM1072116	2:1	3000	50	X	X	16	CHUB19	CHESL06	CHESL05	-	-
NKM1072113	2:1	3000	50	X	X	13	CHUB19	CHESL06	CHESL05	-	-
NKM1072110	2:1	3000	50	X	X	10	CHUB19	CHESL06	CHESL05	-	CHUB17
NKM1072108	2:1	3000	50	X	X	8	CHUB19	CHESL06	CHESL05	CHESL04	CHUB13
NKM1072155	2:1	3000	50	X	X	1/2"	CHUB19	CHESL06	CHESL05	-	-

NAKAMURA-TOME

MOD: WT100 - WY100 - WY100II 12ST. - WY100V 12ST. - SUPER NTY3 - NTY3-100 (V) 12ST. - NTJ100 - SC100 - SC100x2

MODULO MOTORIZZATO PORTACREATORE

Driven gear hobber

Angetriebenes Zahnradwaeltzraes-Werkzeug

Subject to change without notice.

M.T. srl

Via Casino Albini 480  
 Tel. 0541/956034-957884  
 Fax 0541/956341

47842 S. GIOVANNI IN M. (RN)  
 e-mail: mtma@tmarchetti.com  
 http://www.tmmarchetti.com



NKM340-1-20