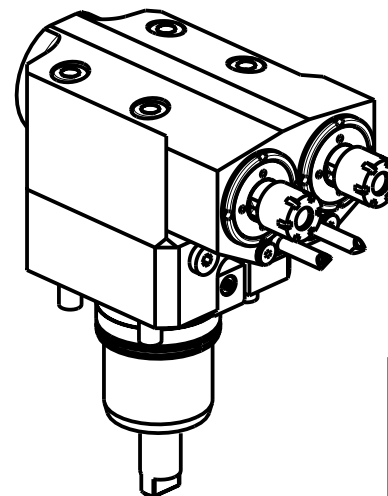


### ATTENZIONE - ATTENTION - ACHTUNG

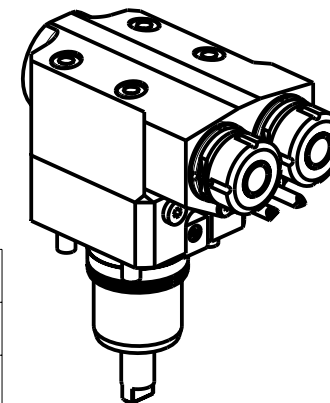
- VERIFICARE LE MISURE DI INGOMBRO PER POSSIBILE INTERFERENZA SU ALCUNI MODELLI DI MACCHINE
- Please check the overall sizes for possible interferences on some machine models
- Bitte überprüfen sie das ausmass um mögliche interferenzen auf einigen maschinen modellen zu vermeiden

### ATTENZIONE - ATTENTION - ACHTUNG

- Per lo smontaggio degli utensili utilizzare sempre la chiave di contrasto come indicato nel manuale d'uso.
- For disassembly of the tools use always the contrast key as mentioned in the user instructions.
- Fuer das Abmontieren der Werkzeuge immer den Gegenschlüssel benutzen wie in der Bedienungsanleitung erwaeht.



NKM0131225



• Chiave inclusa

• Key included

• Schlüssel inbegriffen

Cod. MT	Mandrino Spindel Spindel	I (n1:n2)	RPM max n2	Coppia Max Max Torque Max Drehmoment M2 [Nm]	Reversibile 180° 180° Reversible 180° umsetzbar	Lubrificazione int. Coolant through Innenkuehlung Pmax [bar]	Lubrificazione est. Ext. coolant Aussenkuehlung	Lav. secco Dry-run Trocken Bearb.	A	H	CHIAVI NON INCLUSE Keys not included Schlüssel nicht einbegriffen	
NKM0131216	ER16	1:1	6000	30	X	-	X	X	115.15	102	CHUB17	CHMNER16
NKM0131520	ERA20	1:1	6000	30	X	100 (diag. 2)	X	X	116.15	107	MNL0210007	CHUB22 CHTAER20ZC *
NKM0131225	ER25	1:1	6000	30	X	-	X	X	115.61	102	MNL0210007	CHSTER25
NKM0131425	ER25	1:1	6000	30	X	100 (diag. 2)	X	X	128.11	107	MNL0210007	CHSTER25

## NAKAMURA-TOME

WT250 - WT15011/25011 - WTW150 - WTS150 - SC150/200/250 - SC20011 12/16 ST. - SC30011 16ST. - JX200/250  
 SUPER NTJX - NTY3 150(V)/250 - WY 150(V)/250 - AS200 15ST. - AS200L 15ST.

MODULO MOTORIZZATO ASSIALE 2 USCITE IN Y H=75mm

Axial single side twin head driven tool in Y H=75mm

Axial angetriebenes Werkzeug 2 Ausgaenge in Y H=75mm

Subject to change without notice.

## M.T. srl

Via Casino Albini 480  
 Tel. 0541/956034-957884  
 Fax 0541/956341  
 47842 S. GIOVANNI IN M. (RN)  
 e-mail: mtma@tmarchetti.com  
 http://www.tmmarchetti.com



NKM260-2-20