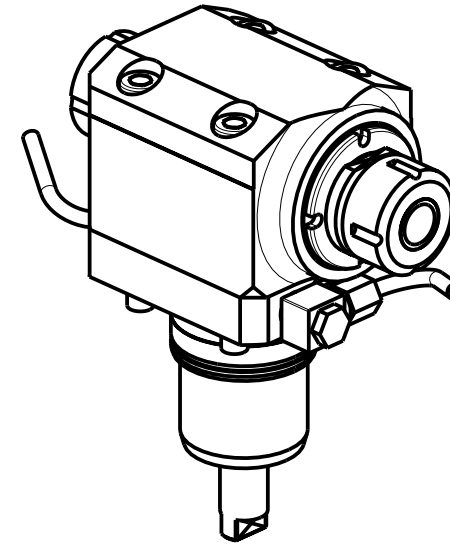
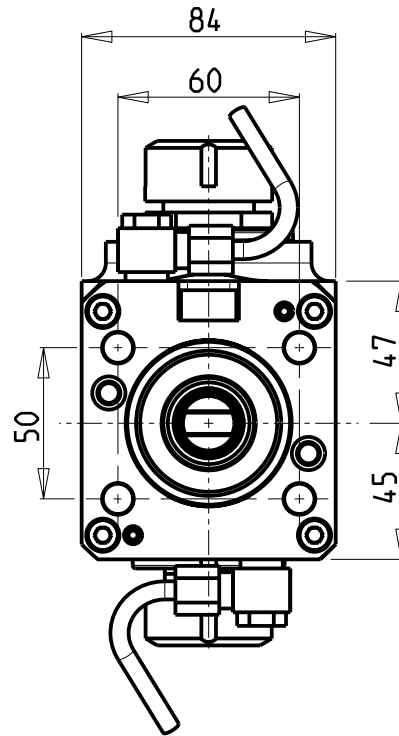
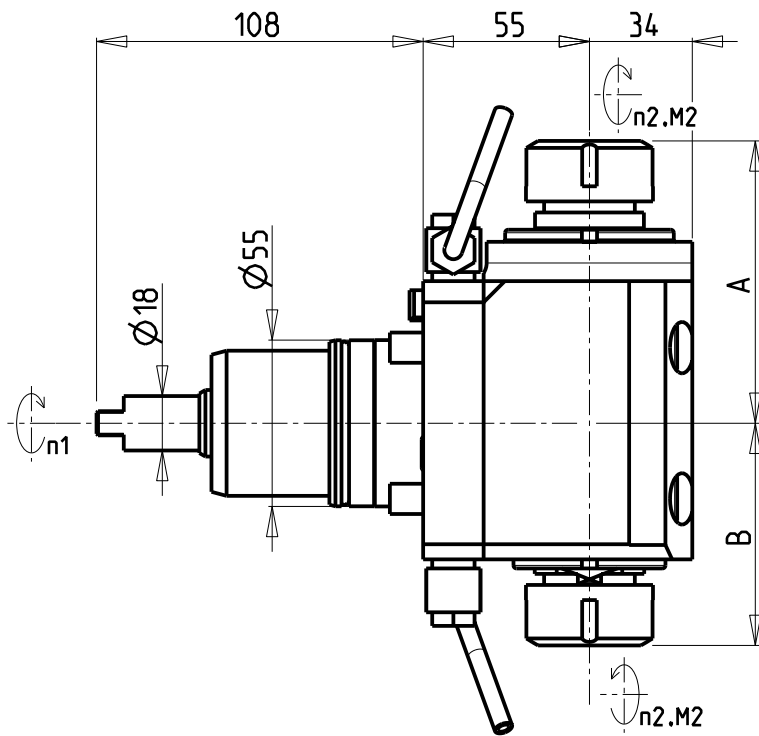


**ATTENZIONE - ATTENTION - ACHTUNG**

- Per lo smontaggio degli utensili utilizzare sempre la chiave di contrasto come indicato nel manuale d'uso.
- For disassembly of the tools use always the contrast key as mentioned in the user instructions.
- Fuer das Abmontieren der Werkzeuge immer den Gegenschlüssel benutzen wie in der Bedienungsanleitung erwaeht.



| Cod. MT    | Mandrino Spindle Spindel | I (n1:n2) | RPM max n2 | Coppia Max Max Torque Max Drehmoment M2 (Nm) | Reversibile 180° 180° Reversible 180° umsetzbar | Lubrificazione est. Ext. coolant Aussenkuehlung | Lav. secco Dry-run Trocken Bearb. | A      | B     | CHIAVI NON INCLUSE<br>Keys not included<br>Schlüssel nicht einbegriffen |               |
|------------|--------------------------|-----------|------------|--|---|---|-----------------------------------|--------|-------|---|---------------|
| NKM0492525 | ER25+ER25                | 1:1       | 6000       | 50   | X   | X   | X                                 | 93.36  | 73.46 | CHSTER25  | CHUB36+CHUB29 |
| NKM0493232 | ER32+ER32                | 1:1       | 6000       | 50   | X   | X   | X                                 | 100.56 | 78.96 | CHSTER32  | CHUB36        |

**NAKAMURA-TOME**

WT150/250 - WT15011/25011 - WTW150 - WTS150 - SUPER NTM3 - SUPER NTJ - SC150/200/250 - SC20011 12/16 ST.  
SC30011 16ST. - NTY3 150(V)/250 - TW10M/MY/MM/MMY/MMYY-TW20M/MY/MM/MMY/MMYY 16ST. - WY 150(V)/250 - AS200L 15/12 ST.

MODULO MOTORIZZATO ASSIALE BISPORGENTE H=55mm

Axial opposite face twin driven tool H=55mm

Axial angetriebenes Werkzeug halb vorspringend H=55mm

Subject to change without notice.

**M.T. srl**

Via Casino Albini 480  
Tel. 0541/956034-957884  
Fax 0541/956341  
47842 S. GIOVANNI IN M. (RN)  
e-mail: mtma@mtmarchetti.com  
http://www.mtmarchetti.com



**NKM240-2-10**